







Country of Origin : China
 Operating Temperature : 0~40 [°C]
 Dimension : 153 x 67 x 18.5 [mm]
 Efficiency level (ErP) : 
 Approvals / Marks :    



Features:

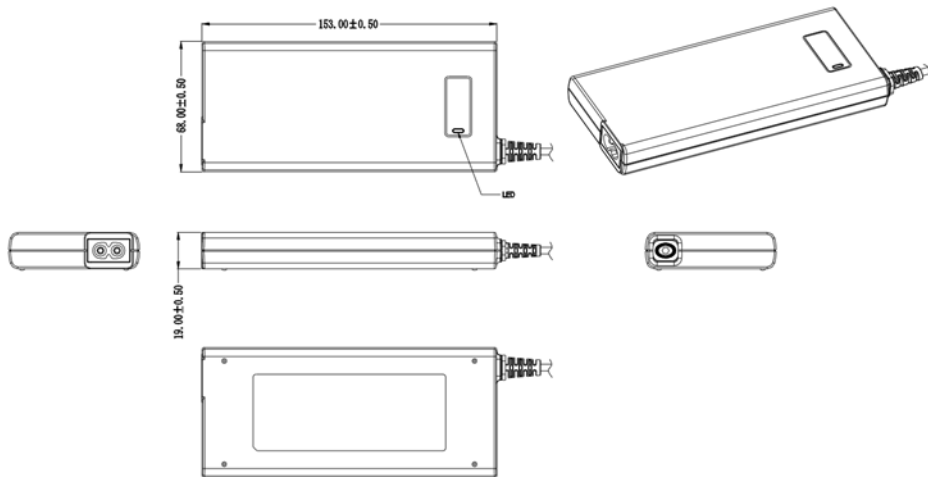
Green Product = High efficiency circuitry that generates little heat : CEC V.
 Extra safe design | Built-in EMI filter | Super Slim Model <17mm | Perfect protection function.
 Simple design philosophy. | Super SLIM design
 For I.T.E. use only + RoHS conform + Green Power

Available in inlet version:
 C8 (T2) 

Specification:

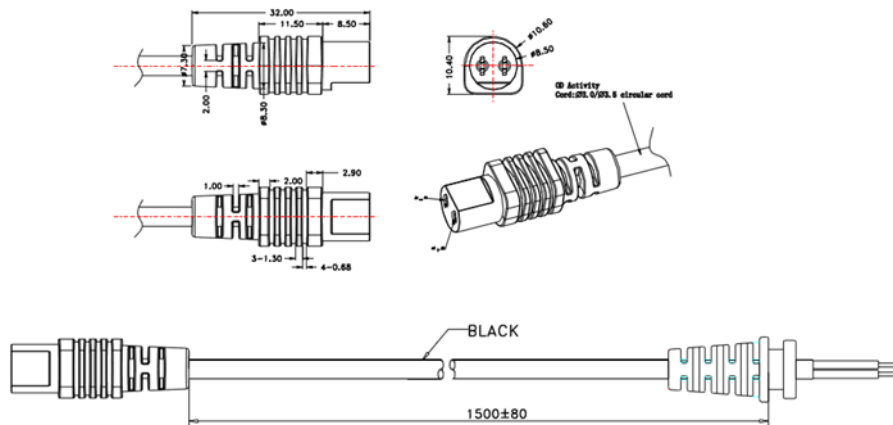
	Model	Voltage DC [V]	Loading [A]	Line/Road regulation [%]	OVP [V]	OCP [A]	Max. Power [W]	Ripple & Noise [mV] p-p	Connector [mm]
ErP V	SKAC-9019-ST2	19	0.05~4.73	±5	-	-	90	300	1.7x5.5x11
	SKDL-9019.5-ST2	19,5	0.05~4.61	±5	-	-	90	300	5.0x7.4x12.5CP
	SKFS-9020-ST2	20	0.05~4.50	±5	-	-	90	300	2.5x5.5x11
	SKHP-9018.5-ST2	18,5	0.05~4.86	±5	-	-	90	300	5.0x7.4x12.5CP
	SKIB-9020-ST2	20	0.05~4.50	±5	-	-	90	300	5.5x7.9x10CP
	SKUN-9019-ST2 (ACEFFc)	19	0.05~4.73	±5	-	-	90	300	A.C.E.F.F.c. (*)
	(*) DC Connectors	"A" — 4.2 x 6.0 x 14.0 (CP) (black)			"F" — 1.7 x 4.8 x 10.5 (yellow)				
		"C" — 2.5 x 5.5 x 12 (black)			"Fc" — 1.7 x 4.8 x 10.5 (black connical)				
		"E" — 1.7 x 5.5 x 11.5 (yellow)							
OEM Production	SKUN-9019-ST2 – certified for output voltage (16~24V) by 0.1V step for maximum output power 90W								
OUTPUT	Rated Input Current	1.3A max.							
	Input current (no loading)	≤40mA							
	Turn on delay	3000 ms max @ AC low line input@output full load							
	Hold up time	10ms min @ AC nominal input@ output full load (> half cycle)							
	Rise time	<30ms to rise to within regulation limits for all DC outputs							
	Efficiency (Normal)	Output LED	>87% (Level V) @ 240VAC input & Full load						
	Over-shoot	<7% of nominal voltage value							
INPUT	Voltage, operating range	(90 ~ 264)VAC							
	Current	Frequency	1.3A rms @ AC low line input and DC output full load						
	Inrush Surge Current (cold start)	80A max @ power supply cold start, ambient temperature 25°C @ 230Vac nominal AC input.							
	Leakage current	≤0.25 mA Max.							
	Maximum input power	103.52W							
	Power consumption	0.5W rms max.							
PROTECTION	Over Current	The power supply will be protection when output power at (110-200)% of all rated dc output							
	Short-circuit	The adapter shall not damage and with auto recovery function by short the DC output to Ground							
	Over Voltage	28.5V max. The output voltage shall be clamped by internal protection zener							
	Input protection	An adequate internal fuse on the AC input line is provide							
	Insulation resistance	Input to Output: 10MΩ(MIN.) at 500VDC							
	Dielectric Strength (Hi-pot)	Primary to Secondary: 3000VAC / 5mA / 60s							
	Reinforced insulation system	Primary-to-Ground and Primary-to-Secondary							
Protection class	II.								
OTHERS	M.T.B.F	50K hours full rated load operation at 25 °C, according to the BELLCORE SR-332 method							
	Cable length	1500mm (5feet) VW-1 80°C 300V 1185 3.5Q 18AWG Black (PAHS, REACH) round cable or depends on customer requirements							
	Cooling method	By natural air, the maximum room ambient temperature for external PSU is 40°C (mentioned in clause 1.4.12 of IEC 60950-1)							
	Housing matherial	PPHOX (UL94V-1 SE-1) Black							
	Temperature coefficient:	< ±0.5% / °C							
ENVIRONMENT	Temperature	Operating: (0 ~ 40)°C / Storage: (-40 ~ +80)°C							
	Humidity	Operating: 5% ~ 90% RH / Storage: 5% ~ 90% RH non condensing							
SAFETY	CE TUV/GS cULus FCC								
	EMC	UL 60950 TUV/VDE-EN60950-1/A11:2009 CE CSA C22.2 NO.950 EN60950-1:2000							
WEIGHT	1pc	N.W.: 309g G.W.: 342g							
PACKING	Box	0.41(L) x 0.41(W) x 0.19(H) [m]							
		30 pcs / 1box							

Mechanical case specification:



Cable specification:

a) UNI type (1185/18AWG*1C)



b) Detailed specification of UNI connectors

