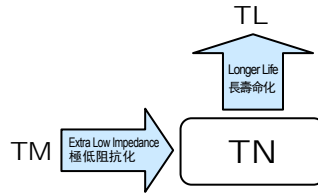


EXTREMELY LOW IMPEDANCE

極低阻抗品

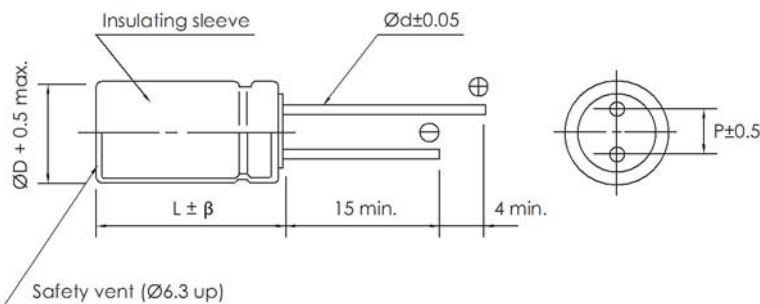
- Extremely low impedance at high frequency
高頻極低阻抗
- Ideally suited for use of switching power supplies
適用於開關電源
- High reliability withstanding 5000 hours load life at 105°C
(2000~3000 hours for smaller case sizes as specified below)
高可靠性，在 105°C 環境中負荷壽命 5000 小時
(小尺寸為 2000~3000 小時，請參閱以下說明)
- Comply with the RoHS directive
符合 RoHS 指令



□ SPECIFICATIONS 特性表

Items 項目	Characteristics 主要特性		
Operation Temperature Range 使用溫度範圍	-40 ~ +105°C	-25 ~ +105°C	
Voltage Range 額定工作電壓範圍	6.3 ~ 63V	160 ~ 450V	
Capacitance Range 靜電容量範圍	1 ~ 15000µF	22 ~ 330µF	
Capacitance Tolerance 靜電容量允許偏差	±20% at 120Hz, 20°C		
Leakage Current 漏電流	Leakage current = 0.01CV or 3µA, whichever is greater (after 2 minutes application of rated voltage) 漏電流 = 0.01CV 或 3µA，取較大值（施加額定工作電壓 2 分鐘後）	Leakage current = 0.02CV + 15µA (after 5 minutes application of rated voltage) 漏電流 = 0.02CV + 15µA（施加額定工作電壓 5 分鐘後）	
Dissipation Factor (tan δ) 損耗角正切	When nominal capacitance is over 1000µF, tan δ shall be added 0.02 to the listed value with increase of every 1000µF. 當標稱靜電容量大於 1000µF，其標稱靜電容量每增加 1000µF，損耗角正切增加 0.02。 Measurement frequency 測試頻率: 120Hz, Temperature 溫度: 20°C		
Stability at Low Temperature 低溫特性	Measurement frequency 測試頻率: 120Hz		
	Rated Voltage (V) 額定工作電壓	6.3, 10, 16, 25, 35, 50, 63, 100, 160~250, 350~450	
Load Life 高溫負荷特性	Impedance Ratio 阻抗比	Z(-25°C) / Z(20°C)	4, 3, 2, 2, 3, 8
		Z(-40°C) / Z(20°C)	4, 3, 2, 2, —, —
	Capacitance Change 靜電容量變化率	Within ±20% of initial measured value 初始值的±20%以內	
Shelf Life 高溫貯存特性	Dissipation Factor 損耗角正切	≤200% of initial specified value 不大於規範值的 200%	
	Leakage Current 漏電流	≤initial specified value 不大於規範值	
Marking 標識	Printed with white colour on black sleeve (PVC) or printed with white colour on green sleeve (PET). 黑色膠管白字印刷 (PVC) 或綠色膠管白字印刷 (PET)。		

□ DRAWING (Unit: mm) 外形圖



ØD	5	6.3	8 (L≤11.5)	8 (L>16)	10	13	16	18
P	2.0	2.5	3.5		5.0	7.5		
Ød	0.5			0.6		0.8		
β	1.5				2.0			

Note: All design and specifications are for reference only and is subject to change without prior notice. If any doubt about safety for your application, please contact us immediately for technical assistance before purchase.

注：以上所提供的設計及特性參數僅供參考，任何修改不作預先通知。如果在使用上有疑問，請在採購前與我們聯繫，以便提供技術上的協助。

CAT.2018/V1b

□ DIMENSIONS & MAXIMUM PERMISSIBLE RIPPLE CURRENT & IMPEDANCE 規格尺寸及最大允許紋波電流及阻抗值

WV		6.3 (0J)				10 (1A)				16 (1C)				25 (1E)				
Parameter 參數	μF	Case size ∅D×L (mm) 尺寸	Impedance (Ω) max. 20°C, 100KHz 阻抗值	Ripple current (mA rms) 紋波電流		Case size ∅D×L (mm) 尺寸	Impedance (Ω) max. 20°C, 100KHz 阻抗值	Ripple current (mA rms) 紋波電流		Case size ∅D×L (mm) 尺寸	Impedance (Ω) max. 20°C, 100KHz 阻抗值	Ripple current (mA rms) 紋波電流		Case size ∅D×L (mm) 尺寸	Impedance (Ω) max. 20°C, 100KHz 阻抗值	Ripple current (mA rms) 紋波電流		
				105°C, 120Hz	105°C, 100KHz			105°C, 120Hz	105°C, 100KHz			105°C, 120Hz	105°C, 100KHz			105°C, 120Hz	105°C, 100KHz	
33	330														5 × 11	0.80	88	155
47	470					5 × 11	0.90	75	125	5 × 11	0.80	92	155	6.3×11.5	0.55	125	210	
68	680					5 × 11	0.80	97	155	6.3×11.5	0.50	135	220	6.3×11.5	0.36	160	260	
100	101	5 × 11	0.85	99	150	5 × 11 (6.3×11.5)	0.70 (0.55)	115 (135)	185 (210)	6.3×11.5	0.35	175	265	6.3×11.5 (8×11.5)	0.32 (0.24)	195 (254)	312 (383)	
150	151	6.3×11.5	0.49	155	225	6.3×11.5	0.35	185	265	8 × 11.5	0.23	270	388	8 × 11.5	0.16	320	460	
220	221	6.3×11.5	0.30	205	285	6.3×11.5 (8×11.5)	0.30 (0.24)	225 (283)	305 (387)	8 × 11.5	0.16	335	460	8 × 11.5 (10×12)	0.14 (0.13)	370 (435)	500 (600)	
330	331	8 × 11.5	0.20	223	292	6.3×11.5 (8×11.5)	0.20 (0.16)	305 (350)	425 (460)	8 × 11.5 (10×12)	0.14 (0.12)	400 (480)	520 (625)	8 × 16 (10×12)	0.12 (0.10)	450 (595)	545 (680)	
470	471	8 × 11.5 (10×12)	0.18 (0.14)	325 (455)	435 (575)	8 × 11.5 (10×12)	0.15 (0.13)	405 (475)	575 (600)	8 × 11.5 (10×12)	0.12 (0.10)	575 (520)	645 (680)	10 × 16 (10×20)	0.084 (0.065)	680 (810)	890 (1020)	
680	681	10 × 16	0.11	580	700	10 × 12 (10×16)	0.11 (0.09)	545 (635)	650 (770)	10 × 20	0.065	845	1020	10 × 20 (13×21)	0.054 (0.046)	985 (1160)	1165 (1392)	
1000	102	10 × 12 (10×20)	0.095 (0.075)	715 (820)	865 (950)	8 × 16 (10×20)	0.068 (0.060)	760 (915)	880 (1060)	10 × 16 (10×20)	0.058 (0.055)	850 (950)	1060 (1185)	13 × 21 (13×25)	0.043 (0.036)	1200 (1430)	1475 (1660)	
1500	152	10 × 25	0.055	1090	1220	10 × 20 (13×21)	0.058 (0.045)	1020 (1266)	1245 (1417)	10 × 20 (13×25)	0.050 (0.036)	1050 (1490)	1245 (1660)	16 × 20	0.034	1590	1770	
2200	222	10 × 20 (13×21)	0.050 (0.043)	1115 (1296)	1305 (1438)	10 × 25 (13×25)	0.038 (0.034)	1375 (1530)	1550 (1710)	13 × 21 (13×25) (16×20)	0.035 (0.035) (0.033)	1485 (1545) (1620)	1695 (1705) (1800)	13 × 25 (16×25)	0.030 (0.028)	1645 (1848)	1750 (2051)	
3300	332	13 × 25	0.034	1530	1710	16 × 20	0.031	1660	1850	13 × 25 (16×25)	0.034 (0.027)	1700 (1888)	1725 (2095)	16 × 35	0.020	2410	2680	
4700	472	16 × 25	0.032	1728	1935	16 × 31	0.023	2170	2420	16 × 35	0.020	2410	2680	18 × 31 (18×40)	0.019 (0.018)	2515 (2660)	2785 (2960)	
6800	682	16 × 31	0.024	2130	2370	16 × 35	0.020	2410	2680	18 × 35	0.018	2610	2900					
10000	103	16 × 40	0.020	2470	2750	18 × 40	0.017	2730	3040									
15000	153	18 × 40	0.018	2660	2960													

WV		35V (1V)				50V (1H)				63V (1J)			
Parameter 參數	μF	Case size ∅D×L (mm) 尺寸	Impedance (Ω) max. 20°C, 100KHz 阻抗值	Ripple current (mA rms) 紋波電流		Case size ∅D×L (mm) 尺寸	Impedance (Ω) max. 20°C, 100KHz 阻抗值	Ripple current (mA rms) 紋波電流		Case size ∅D×L (mm) 尺寸	Impedance (Ω) max. 20°C, 100KHz 阻抗值	Ripple current (mA rms) 紋波電流	
				105°C, 120Hz	105°C, 100KHz			105°C, 120Hz	105°C, 100KHz			105°C, 120Hz	105°C, 100KHz
1	101					5 × 11	4.0	18	36				
1.5	1R5					5 × 11	3.8	22	45				
2.2	2R2					5 × 11	3.5	27	54				
3.3	3R3					5 × 11	3.0	33	66				
4.7	4R7					5 × 11	2.2	40	81				
6.8	6R8					5 × 11	1.8	45	91				
10	100					5 × 11	1.4	57	115	5 × 11	1.06	67	135
15	150					5 × 11	0.93	72	145	6.3 × 11.5	0.73	92	185
22	220	5 × 11	0.75	85	160	5 × 11 (6.3×11.5)	0.86 (0.65)	85 (100)	165 (195)	6.3 × 11.5	0.52	110	215
33	330	6.3 × 11.5	0.49	125	225	6.3 × 11.5	0.43	135	240	8 × 11.5	0.35	179	320
47	470	6.3 × 11.5	0.34	160	270	6.3 × 11.5 (8×11.5)	0.10 (0.30)	170 (204)	300 (344)	8 × 11.5	0.25	215	365
68	680	8 × 11.5	0.24	239	384	8 × 11.5	0.20	255	410	10 × 12	0.19	310	495
100	101	8 × 11.5	0.16	305	460	8 × 16 (10×16)	0.18 (0.16)	315 (385)	490 (581)	8 × 16 (10×20)	0.16 (0.12)	400 (495)	615 (750)
150	151	10 × 12	0.12	435	625	10 × 20	0.10	570	820	10 × 25	0.09	665	950
220	221	8 × 16 (10×12) (10×16)	0.12 (0.10) (0.09)	485 (520) (560)	700 (735) (770)	10 × 16 (10×20) (10×25)	0.09 (0.09) (0.075)	615 (650) (760)	850 (900) (1040)	10 × 20 (13×21)	0.080 (0.065)	785 (835)	1010 (1140)
330	331	10 × 16 (10×20)	0.063 (0.060)	745 (810)	1000 (1060)	10 × 20 (13×21)	0.058 (0.055)	885 (978)	1150 (1281)	13 × 21 (13×25)	0.056 (0.049)	945 (1090)	1295 (1420)
470	471	10 × 20 (13×21)	0.050 (0.046)	995 (1112)	1300 (1401)	10 × 20 (13×21)	0.054 (0.050)	980 (1085)	1285 (1385)	13 × 25 (16×25)	0.045 (0.042)	1220 (1350)	1580 (1700)
680	681	13 × 25	0.036	1370	1660	16 × 20	0.040	1350	1630	16 × 31	0.032	1700	2050
1000	102	16 × 20	0.034	1330	1770	16 × 25 (16×31)	0.036 (0.030)	1755 (1830)	1950 (2120)	16 × 31 (18×31) (18×35)	0.032 (0.032) (0.029)	1840 (1840) (1970)	2180 (2180) (2280)
1500	152	16 × 31	0.028	2149	2385	16 × 35	0.026	2170	2410	18 × 35	0.026	1850	2165
2200	222	16 × 31 (16×35)	0.024 (0.020)	2365 (2410)	2600 (2680)	18 × 35 (18×40)	0.026 (0.024)	2265 (2300)	2485 (2560)				
3300	332	18 × 40	0.017	2730	3040								

Note: All design and specifications are for reference only and is subject to change without prior notice. If any doubt about safety for your application, please contact us immediately for technical assistance before purchase.

注：以上所提供的設計及特性參數僅供參考，任何修改不作預先通知。如果在使用上有疑問，請在採購前與我們聯繫，以便提供技術上的協助。

CAT.2018/V1b

□ DIMENSIONS & MAXIMUM PERMISSIBLE RIPPLE CURRENT & IMPEDANCE 規格尺寸及最大允許紋波電流及阻抗值

WV Parameter 參數 μF		100 (2A)				160 (2C)				200 (2D)				250 (2E)				
		Case size ∅D×L (mm) 尺寸	Impedance (Ω) max. 20°C, 100KHz 阻抗值	Ripple current (mA rms) 紋波電流		Case size ∅D×L (mm) 尺寸	Impedance (Ω) max. 20°C, 100KHz 阻抗值	Ripple current (mA rms) 紋波電流		Case size ∅D×L (mm) 尺寸	Impedance (Ω) max. 20°C, 100KHz 阻抗值	Ripple current (mA rms) 紋波電流		Case size ∅D×L (mm) 尺寸	Impedance (Ω) max. 20°C, 100KHz 阻抗值	Ripple current (mA rms) 紋波電流		
				105°C, 120Hz	105°C, 100KHz			105°C, 120Hz	105°C, 100KHz			105°C, 120Hz	105°C, 100KHz			105°C, 120Hz	105°C, 100KHz	
2.2	2R2	5 × 11	2.50	25	52										5 × 11	0.80	88	155
3.3	3R3	5 × 11	2.50	30	64										8 × 11.5	1.40	105	200
4.7	4R7	5 × 11	2.50	35	76										8 × 11.5	2.00	135	240
6.8	6R8	6.3×11.5	1.00	70	128										8 × 11.5	2.80	165	275
10	100	8 × 11.5	0.60	125	224										10 × 16	3.50	170	300
22	220	8 × 11.5 (10×12)	0.50 (0.40)	130 (185)	285 (319)	10 × 20	1.30	310	440	10 × 20	1.5	310	440	13 × 21	2.30	315	480	
33	330	10 × 16	0.30	285	417	10 × 20	1.30	395	565	13 × 21	0.91	390	590	13 × 25	1.70	435	630	
47	470	10 × 16 (13×21)	0.08 (0.15)	445 (380)	680 (570)	13 × 21	0.91	470	725	13 × 21	0.91	515	780	13 × 25	1.70	435	630	
68	680	13 × 25	0.12	490	760	13 × 25	0.63	675	950	13 × 25	0.63	675	950	16 × 25	0.78	765	1000	
100	101	10 × 16 (16×25)	0.22 (0.07)	450 (905)	700 (1250)	16 × 25	0.27	980	1280	16 × 25	0.27	980	1280	16 × 31	0.63	1080	1400	
150	151	16 × 31	0.05	1080	1400	16 × 31	0.22	1015	1300	18 × 25	0.27	1190	1500	18 × 31	0.42	1100	1450	
220	221	18 × 40	0.03	1695	1980	16 × 31	0.22	1015	1300	18 × 31	0.22	1350	1700	18 × 40	0.35	1175	1485	
330	331					18 × 31	0.22	1350	1700									

WV Parameter 參數 μF		350V (2V)				400V (2G)				450V (2W)			
		Case size ∅D×L (mm) 尺寸	Impedance (Ω) max. 20°C, 100KHz 阻抗值	Ripple current (mA rms) 紋波電流		Case size ∅D×L (mm) 尺寸	Impedance (Ω) max. 20°C, 100KHz 阻抗值	Ripple current (mA rms) 紋波電流		Case size ∅D×L (mm) 尺寸	Impedance (Ω) max. 20°C, 100KHz 阻抗值	Ripple current (mA rms) 紋波電流	
				105°C, 120Hz	105°C, 100KHz			105°C, 120Hz	105°C, 100KHz			105°C, 120Hz	105°C, 100KHz
3.3	3R3					8 × 11.5	4.80	60	110	10 × 20	6.5	75	150
4.7	4R7					8 × 11.5	4.20	75	125	13 × 21	3.6	105	200
10	100	10 × 20	2.90	100	180	10 × 20	2.90	95	180	13 × 25	2.5	185	315
22	220	13 × 21	2.10	160	270	13 × 25	1.30	175	300	16 × 25	1.7	380	570
33	330	16 × 20	0.91	365	600	16 × 20	0.91	365	600	16 × 31	1.1	435	620
47	470	16 × 25	0.73	485	700	16 × 25	0.73	485	700	18 × 31	0.93	650	900
68	680	16 × 31	0.49	845	1100	16 × 31	0.49	845	1100	18 × 35	0.71	670	980
100	101	18 × 31	0.40	855	1170	18 × 40	0.34	975	1250				

- Please refer to page 16 "Taping Specifications" & page 18 "Lead Forming & Cutting" about the taped or formed product spec. 編帶與引線成型標準請參閱第 16 頁 "編帶標準" 及 "第 18 頁引線成型與剪腳"。
- Please refer to page 17 "Packaging Specifications" for the minimum package quantity. 最小包裝數量請參閱第 17 頁 "包裝標準"。

Note: All design and specifications are for reference only and is subject to change without prior notice. If any doubt about safety for your application, please contact us immediately for technical assistance before purchase.

注：以上所提供的設計及特性參數僅供參考，任何修改不作預先通知。如果在使用上有疑問，請在採購前與我們聯繫，以便提供技術上的協助。

CAT.2018/V1b