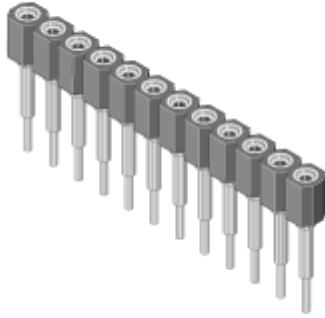


Order code: 006-1-020-D-B1STF-XS0

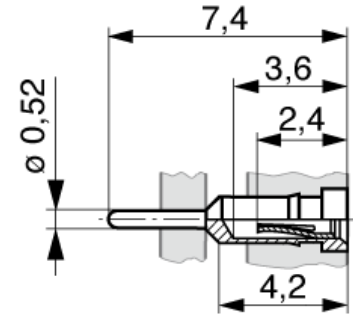
1) IC-SOCKETS, STRIPS, CARRIERS

Series: **006**

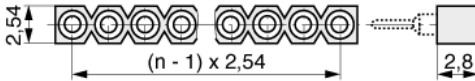
Socket strips with machined contacts. Available in many contact options including various spacer and wire wrap versions.

Single row socket strip (SIL).

Gender	Female
Pitch (mm)	2,54
Mating pin size (range)	ø 0,40-0,56, sq. 0,25x0,45
No of contacts	20
Contact type	B1 - Standard B



Material contact	Copper alloy
Material clip	Beryllium copper
Plating contact	Sn
Plating clip	Au
Material insulator	High temp. thermoplast UL94V-0
Rated current	3,0 A
Rated voltage	150 V _{RMS} / V _{DC}
Withstand voltage	1000 V _{RMS} for 1 minute
Operating temperature	-55°C to +125°C
Max. processing temper.	260°C for 10 seconds
Packaging	Standard

**Order code: 006-1-020-D-B1STF-XS0**

MPE Garry GmbH
Schäfflerstraße 13
87629 Füssen/Germany

Phone: +49 (0) 83 62 / 91 56-0
Fax: +49 (0) 83 62 / 91 56-500
Email: vk@mpe-connector.de

Date: 29.01.2015 Internet: http://www.mpe-connector.de/index.php?lang=en&menu=4&s_product=006-1-020-D-B1STF-XS0