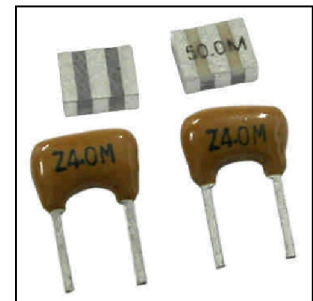


CERAMIC RESONATOR

CRM Series, DIP AND CHIP TYPE



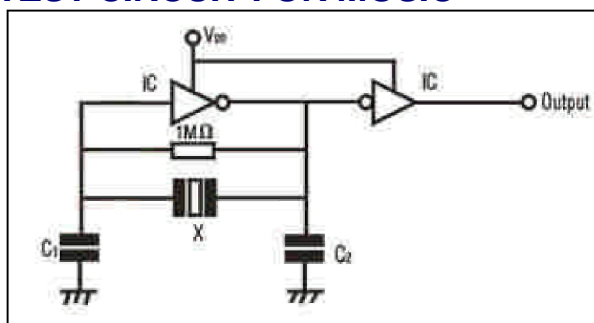
ELECTRICAL CHARACTERISTICS FOR DIP TYPE

Frequency range	-	1.80 , 13 Mhz
Frequency Accuracy(25 C°)	-	+/-0.5 %
Frequency Stability	-	+/-0.3 %
Operating Temperature	-	-20 , +80 C°
Aging for ten years	-	+/-0.3 %

ELECTRICAL CHARACTERISTICS FOR CHIP TYPE

Frequency range	-	1.80 , 13 Mhz
Frequency Accuracy(25 C°)	-	+/-0.5 %
Frequency Stability	-	+/-0.3 %
Operating Temperature	-	-20 , +80 C°
Aging for ten years	-	+/-0.3 %

TEST CIRCUIT FOR MOSIC



IC(MG,MT):1/6TC4069UBP×2
 (MX) :1/6TC74HCU04×2
 C₁C₂(MG,MT):30 pF
 (MX) :30 pF (13.01~20.0MHz)
 15 pF (20.01~25.99MHz)
 5 pF (26.00~50.00MHz)
 X: Ceramic Resonator
 V_{cc}(MG,MX): +5V
 (MT) : +12V

CERAMIC RESONATOR

CRM Series, DIP AND CHIP TYPE

DIMENSIONS (MM)

