

SNAP BUSHING



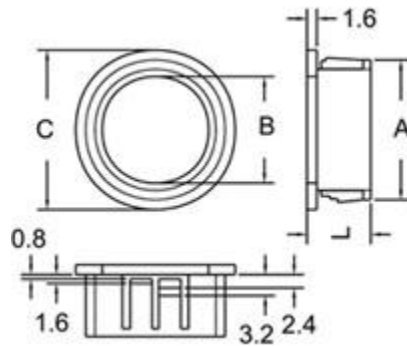
Material: UL approved Nylon 66, 94V-2 (Black)

KSS SNAP BUSHING smooth and insulate your raw-edged holes in metal chassis.

Locking into hole firmly with fingertip pressure.

Protect electrical cables, ropes, utility lines through metal holes.

Available in application for chassis thickness from 0.8mm to 3.2mm



Item No.	Mounting Hole A	B	C	L
SB-8	7.8	5.2	9.4	8.0
SB-10	9.5	6.3	12.0	10.3