

6SS Analog position sensors



FEATURES

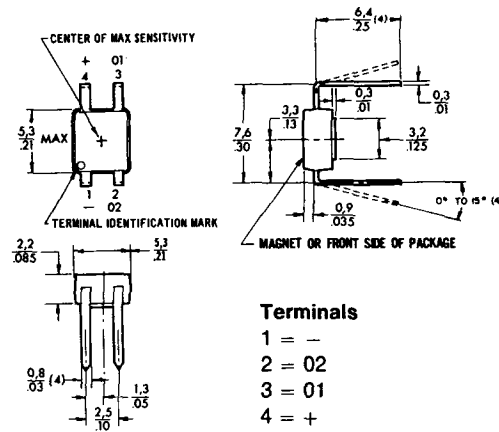
- 4 to 10 VDC supply voltage
- Four pin dual-in-line terminals for printed circuit board or standard DIP socket mounting
- Projects only 4 mm above PC board or DIP socket

NOTE: Calibrated Hall element information, see page 76. For digital sensors, see page 12.

6SS ORDER GUIDE

Catalog Listing	634SS2
Supply Voltage (VDC)	4 to 10
Supply Current (mA typ.)	3.5
Output Type	Differential
Output Voltage (V)	1.75 to 2.25 V at 5V, 0 gauss
Sensitivity	(-400 to +400 gauss) 0.75 to 1.06 mV/gauss

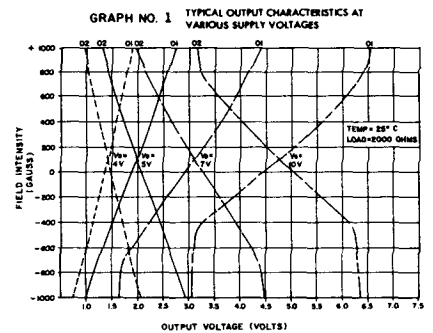
MOUNTING DIMENSIONS (For reference only)



TYPICAL LINEAR OUTPUT CHARACTERISTICS*

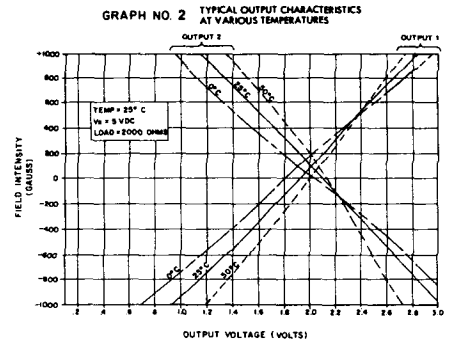
Graph #1

This graph displays the relationship between supply voltage and the combined effects of a change in sensitivity (gain) and null voltage output at room temperature. The sensitivity variation is represented by the change in the slope of the curve. The null voltage shifts the entire curve.



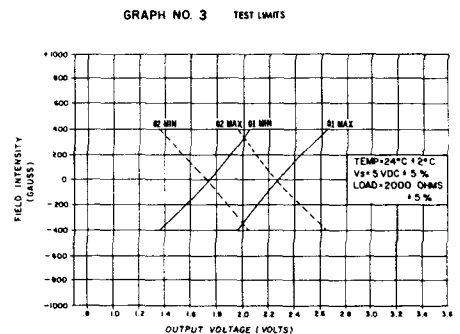
Graph #2

At 5 VDC supply voltage, these curves represent the typical performance of the 634SS2 over temperature.



Graph #3

This graph indicates the conditions under which we test the 634SS2 and defines the limits of the product. These limits do not take temperature or supply voltage variations into account.



* Illustrated characteristics are typical. Production lot sensor characteristics will be in the general range of those shown.