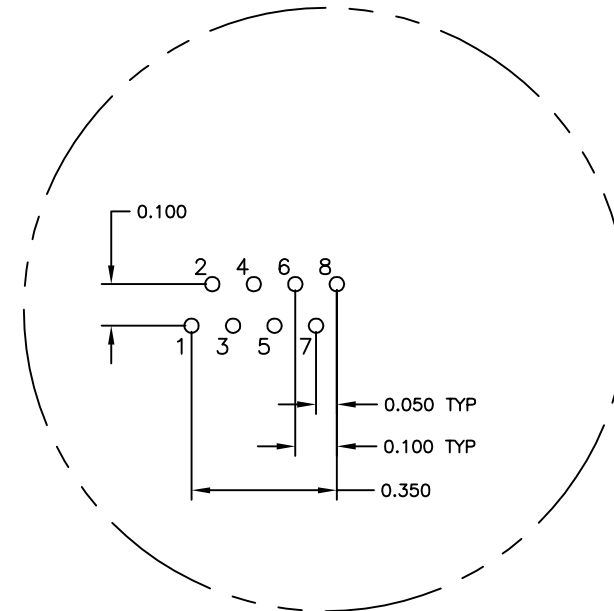
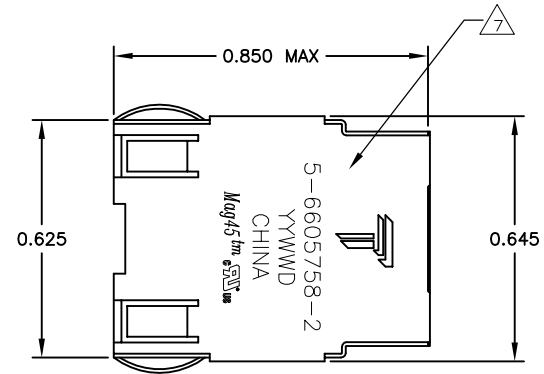
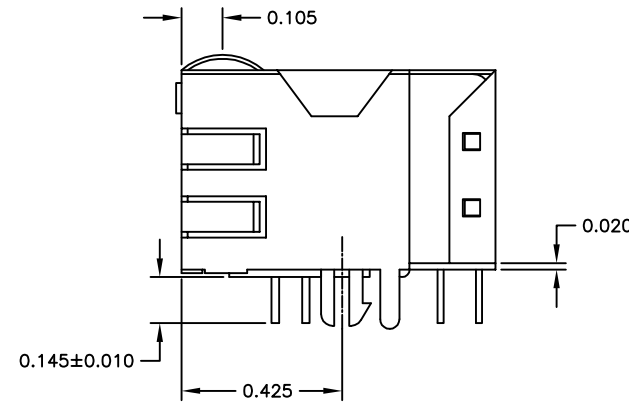
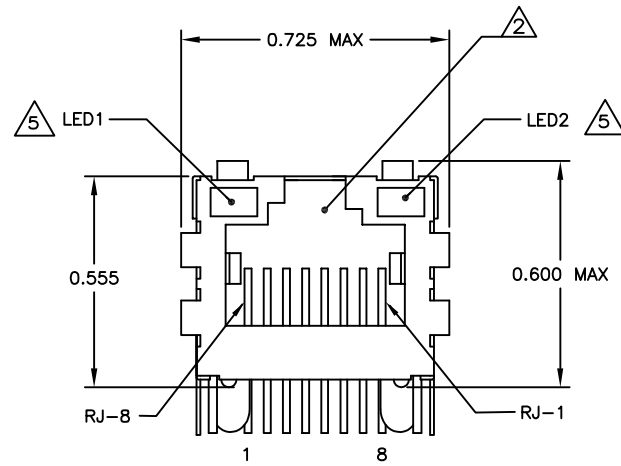


| REVISIONS | | | | | |
|-----------|-----------|-------------|----|-----|-------|
| # | DATE | DESCRIPTION | BY | CHK | APP'D |
| D | 23APR2013 | LOGO CHANGE | JC | KZ | |

MECHANICAL:



Pin Designations



- △1 MATERIALS:
 -HOUSING - THERMOPLASTIC PET POLYESTER FLAMMABILITY RATING UL 94V-0.
 -SHIELD - .010" THICK, C26800 BRASS PREPLATED WITH 30μINCH MIN SEMI-BRIGHT NICKEL, SOLDER TABS POST DIPPED WITH 100μINCH MIN SAC SOLDER.
 -MOD JACK CONTACTS - 0.0157" x 0.018" PHOSPHOR BRONZE, 50μINCH MIN OVERALL NICKEL UNDERPLATE, WITH SELECT 50μINCH MIN HARD GOLD FINISH PLATE.
 SOLDER TAILS WITH 100μINCH MIN MATTE TIN AND/OR SAC SOLDER DIP.
 -LIGHT EMITTING DIODE(LED) - DIFFUSED EPOXY LENS, .020" x .020" CARBON STEEL WIREFRAME LEADS PRE-PLATED WITH 80μINCH SILVER OVER 40μINCH NICKEL UNDERPLATE OVER 40μINCH COPPER UNDERPLATE, POST-PLATED WITH 100μINCH MIN MATTE TIN AND/OR SAC SOLDER DIP OR PURE TIN SOLDER DIP.

- △2 RJ45 JACK CAVITY CONFORMS TO FCC RULES AND REGULATIONS PART 68, SUB PART F.

- △3 MAGNETICS
 -IMPEDANCE: 100 OHMS
 -TURNS RATIO (CHIP: CABLE): TX = 1:1, RX = 1:1
 -OPEN CIRCUIT INDUCTANCE (OCL): 350mH MIN @100kHz, 0.1VRMS, 8mADC BIAS FROM 0°C TO 70°C, TX AND RX
 -PERFORMANCE @ 25°C:
 INSERTION LOSS (IL): 1.1dB MAX FROM 0.5MHz TO 100MHz
 RETURN LOSS (RL): 18dB MIN FROM 0.5MHz TO 30MHz
 18-20LOG(f/30)dB MIN FROM 30.1MHz TO 60MHz
 12dB MIN FROM 60.1MHz TO 80MHz
 CROSSTALK ATTENUATION: 35dB MIN FROM 0.5MHz TO 40MHz
 33-20LOG(f/50)dB MIN FROM 40.1MHz TO 100MHz
 COMMON MODE REJECTION RATIO (CMRR): 30dB MIN FROM 0.5MHz TO 100MHz
 -ISOLATION VOLTAGE: 2250VDC (MAX) FOR 60 SECONDS WITH A RISE TIME OF 500V/SEC.

4. OPERATING TEMPERATURE: FROM 0°C TO +70°C.

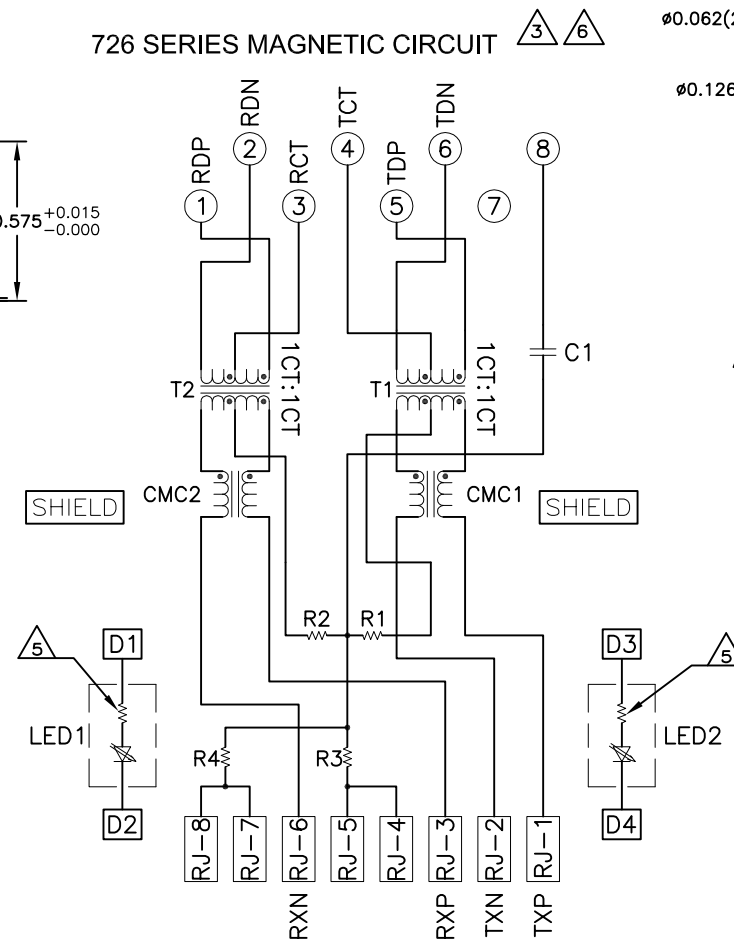
- △5 THE 250 OHM LED RESISTORS ARE OPTIONAL, PLEASE SEE CHART FOR PRESENCE OR ABSENCE OF LED RESISTORS. IF THE LED WITHOUT 250 OHM RESISTORS, LED IS DRIVEN WITH CONSTANT CURRENT AT APPROX 20mA.
 LED COLOR: DOMINANT WAVELENGTH (AD): GREEN 568 nm TYP. at IF=20mA
 FORWARD VOLTAGE (VF): GREEN 2.2V TYP. at IF=20mA
 DOMINANT WAVELENGTH (AD): YELLOW 588 nm TYP. at IF=20mA
 FORWARD VOLTAGE (VF): YELLOW 2.1V TYP. at IF=20mA.
 IF THE LED WITH 250 OHM RESISTORS, LED IS DRIVEN WITH 5V VOLTAGE AND THE MAX OPERATING CURRENT IS 20mA.
 LED COLOR: DOMINANT WAVELENGTH (AD): GREEN 568 nm TYP. At VF=5V
 FORWARD CURRENT (IF): GREEN 12 mA TYP. at VF=5V
 DOMINANT WAVELENGTH (AD): YELLOW 588 nm TYP. At VF=5V

- △6 INDICATED CONNECTIONS ARE FOR NIC CONFIGURATION. THE MAGNETICS ARE SYMMETRICAL, AND SUPPORT AUTO-MDI/MDIX.

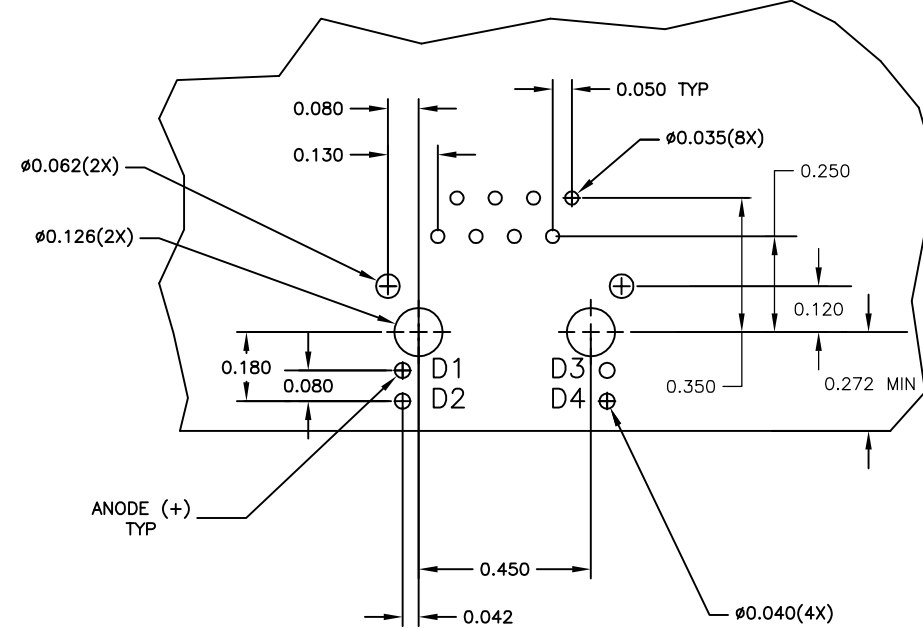
- △7 TRP CONNECTOR LOGO, PART NUMBER, DATE CODE, COUNTRY OF ORIGIN AND AGENCY APPROVAL MARKING IN APPROXIMATE LOCATION SHOWN.

8. THESE PARTS ARE RECOMMENDED FOR WAVE SOLDERING PROCESS, PEAK WAVE SOLDERING TEMPERATURE IS 265°C MAX, 10 SECONDS MAX.

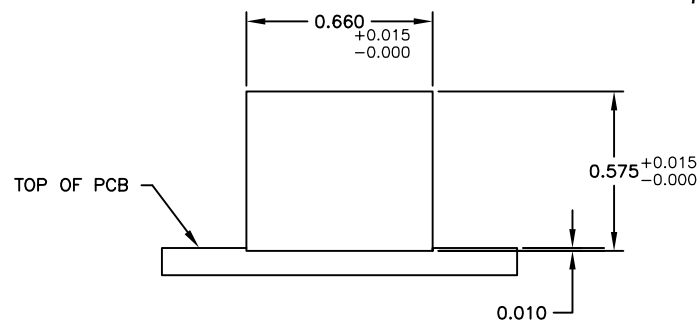
726 SERIES MAGNETIC CIRCUIT



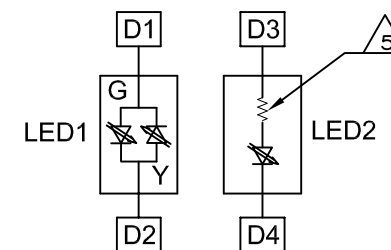
C1 = 1000pF, 2kV DECOUPLING CAPACITOR
 R1-R4 = 75 OHMS, 1/16W, RESISTORS



Suggested PCB Layout



Suggested Panel Cutout



LED CONFIGURATION FOR 5-6605758-4 ONLY

| YES | GREEN | YES | GREEN | YES | 6-6605758-1 |
|--------------------------|--------------|-------------------|--------|-------------------|-------------|
| YES | YELLOW | NO | GREEN | NO | 5-6605758-9 |
| YES | GREEN | NO | YELLOW | NO | 5-6605758-8 |
| YES | GREEN | NO | GREEN | NO | 5-6605758-7 |
| YES | GREEN/YELLOW | YES | GREEN | YES | 5-6605758-4 |
| YES | YELLOW | YES | GREEN | YES | 5-6605758-2 |
| YES | GREEN | YES | YELLOW | YES | 5-6605758-1 |
| NO | GREEN | YES | GREEN | YES | 1-6605758-1 |
| 2KV DECOUPLING CAPACITOR | LED1 | 250 OHMS RESISTOR | LED2 | 250 OHMS RESISTOR | PART NUMBER |

| | | | | |
|--|--------------|--------------------------|--|--------------|
| THIS DRAWING IS A CONTROLLED DOCUMENT. | | DRN L VARELA - 03MAR2005 | TRP connector | |
| DIMENSIONS: INCHES | | CHK D. FAROLE 03MAR2005 | Dongguan China | |
| TOLERANCES UNLESS OTHERWISE SPECIFIED: | | PRODUCT SPEC 108-2100 | NAME 1X1 MAG45(TM), 7N2 SCHEMATIC, 726 SERIES CIRCUIT, OPTIONAL DECOUPLING CAPACITOR, SHIELDED, WITH LEADS | |
| 0 PLC ± - | 1 PLC ± .010 | APPLICATION SPEC | SIZE A1 | CAGE CODE |
| 2 PLC ± .005 | 3 PLC ± .005 | ANGLE | SCALE 1:1 | SHEET 1 OF 1 |
| 4 PLC ± .005 | 5 PLC ± .005 | FINISH | C=6605758 | REV D |
| MATERIAL | | FINISH | CUSTOMER DRAWING | |