



Model: JLV-12120KB Size: 177*102*48mm



Brief Information



120W

Rainproof Power Supply (C.V.)

Model JLV-12120KB

Input 170~250V AC

Output 12V DC 10A 120W

Product Features

- Rainproof, big wattage for outdoor use
- High transfer efficiency
- Wide input range
- Stable constant voltage output
- 100% full loading, 100% burn-in tested
- Overload/short circuit protection

MAIN ELECTRICAL DATA

AC Input

Input Voltage	170~250V
Input Frequency	50/60Hz
Efficiency (Typ.)	82%
Input Current	230V: 1A max.
Inrush Current	40A
Leakage Current	5mA/230VAC

DC Output

Output Voltage	12V
Rated Current	10A
Rated Power	120W
Ripple & Noise (Max.)	<200mVp-p
Setup, Rise Time	1500ms/230VAC
Line Regulation	2%
Load Regulation	2%

Service Environment

Working Temp.	-25°C~50°C
Working Humidity	20~90%RH
Storage Temp.	-40°C~80°C
Storage Humidity	10~95%RH

Protection

Overload	Yes, active when loading is over 110~120% Output Voltage drops if overloaded
Short Circuit	Yes, hiccup mode, recovers automatically after fault condition is removed

Safety

Safety Standard	EN 61347-2-13
Withstand Voltage	I/P-O/P: 2500VAC/1min/<5mA
Isolation Resistance	I/P-O/P: >100M Ohms / 500VDC /25°C / 70%RH

Packaging Information

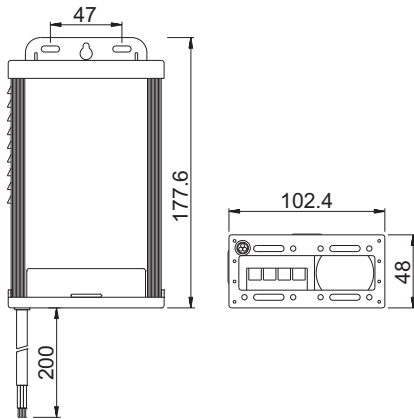
Product Dimension	177*102*48mm
Products Net Weight	420G
PCS/Carton(QTY)	20 PCS
Master Carton Size	41*30*24cm
G. Weight/ Carton	10KG

Installation Tips:

- Please identify the power supply's input and output before installation.
- Ensure correct output + & - wire connection.
Power on after wire connection is done.
- To avoid voltage drop and loading capacity wasting on the output extension wire, please install the power supply to the loading as near as possible, if must use long extension wires, thicker wires and less loading wattage is required.
- The power supply to be installed at good ventilation and cooling environment.

The power behind your lights

Physical Drawing



Unit: mm

Brief Information

Powermax™
Technology Inside

120W

Rainproof Power Supply (C.V.)

Model JLV-12120KB

Input 170~250V AC

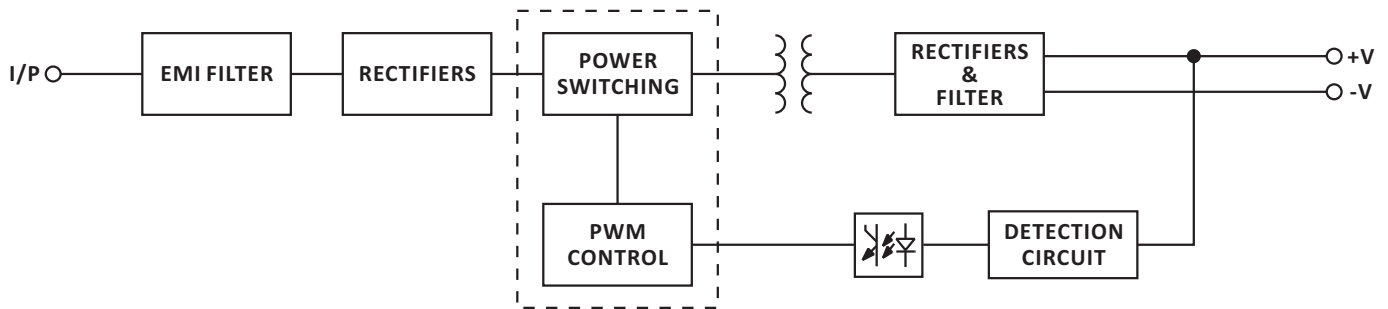
Output 12V DC 10A 120W

Input: 3x0.75mm² wire, Brown L, Blue N
200mm length

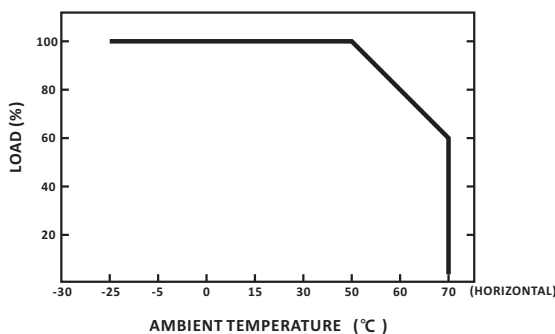
Output: 9500-4P Screw Terminals
inflamming retarding

Housing: Aluminium

Block Diagram



Derating Curve



Static Characteristics

