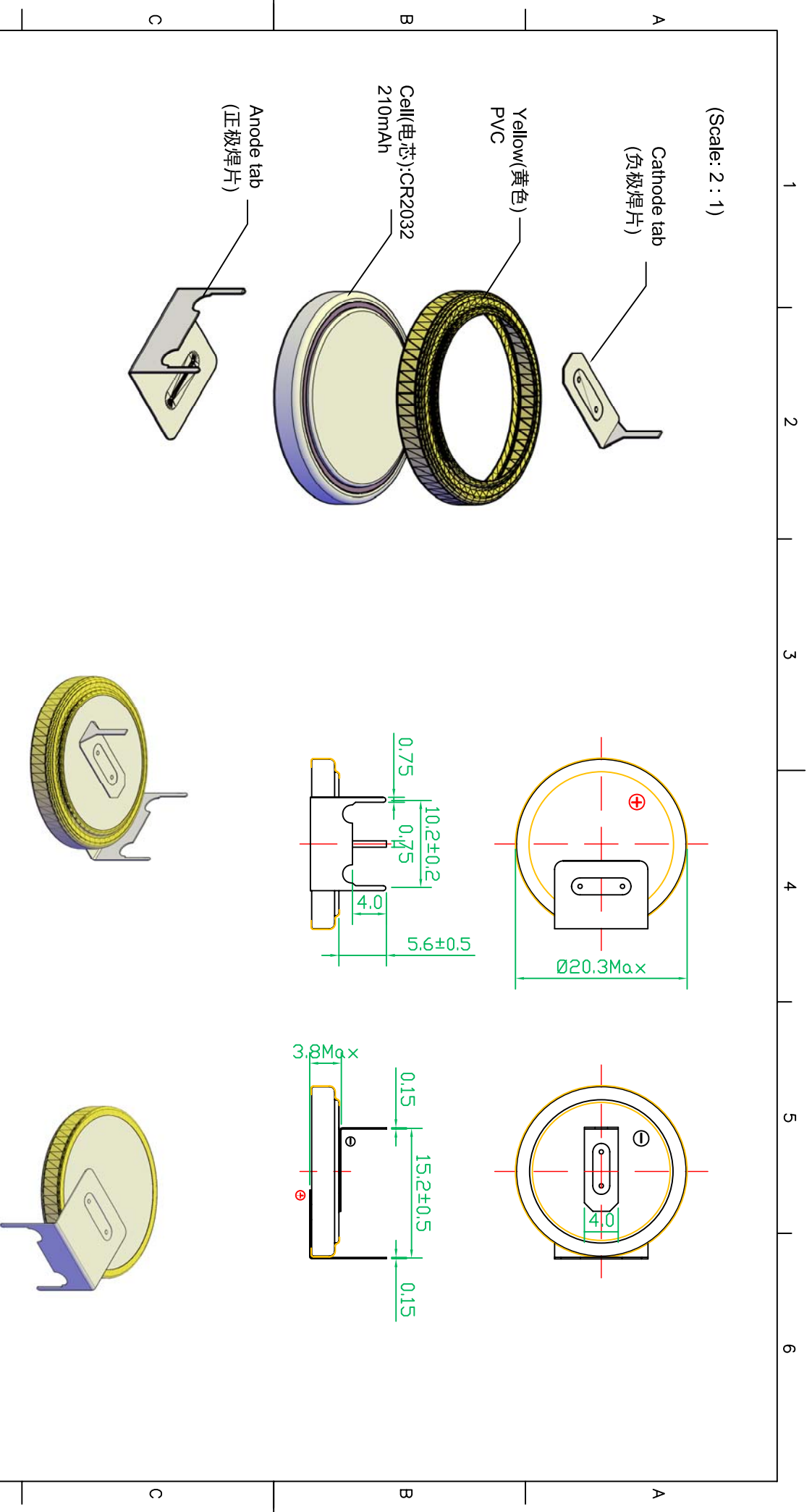


(Scale: 2 : 1)



4	ROHS Compliant / 严格按照ROHS要求生产	<b>EEMB®</b> EEMB BATTERY		Drawn:	Hexin	Revise No.:	E4+2009
3	Cathode tab / 负极焊片			Stainless steel plated with nickel / 不锈钢镀镍	Checked 1:	Ally	Projection:
2	Anode tab / 正极焊片	Stainless steel plated with nickel / 不锈钢镀镍	Checked 2:		Page:	1/1	
1	Cell / 电芯	Button, Yellow yellow PVC, with date code 扣式, 包黄色PVC, 电芯表面喷码	Approved:		Scale:	1.5: 1	
NO.	Parts	Description	Title	File NO.	Draw Date:	Unit:	mm
			CR2032-VAY3	A10694	2014/12/19		