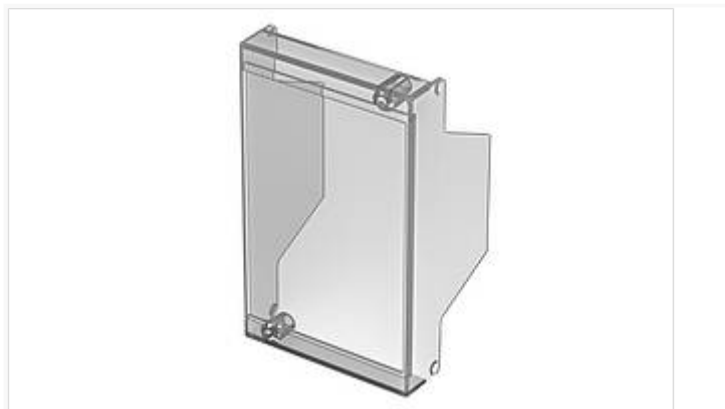


CombiNorm-Classic

Hinged hood, crystal-clear, 9 mm high, polycarbonate



CNH 45 N

Order no.: 65004560

For CN(S) 45 AK

* = Available on request.

Characteristics

Colour of enclosure group

--

Enclosure Material

ABS; UL 94 V0 material on request; for details see Technical Information

Scope of delivery

1 hood

Technical documentation / Downloads

Technical drawings

3D product data in STEP format: 65004560 CNH-45-N.stp (113.5 KB)

Product drawing in PDF format: 65004560 CNH-45-N.pdf (71.2 KB)

Product drawing in DXF format: 65004560 CNH-45-N.dxf (870.3 KB)

Product information

combinorm-classic en.pdf (841.9 KB)

Important!

To compensate for pressure when temperatures change and cause moisture in the enclosure, we recommend that you use a pressure compensation element.

» Additional information