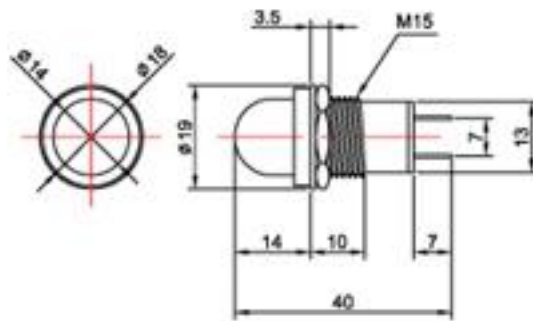


# N-809 / N-809P

Neon Indicator Lamp (w/resistor 120V 220V)

Tungsten Filament Indicator Lamp (6V 12V 24V)



	Material List	Material List
No.	Part Name	Material
1	Housing	Acrylic
2	Nut	Bronze
3	Washer	Plastics
4	Holder	Nylon 66 + FG
5	Solder	Bronze
6	Lamp	6 x 12 + 1/4W R*2 (*2: resistance)