

ERD SERIES

10x10 SIZE SEALED CONSTRUCTION ROTARY TYPE



ERD

1xxxx (Flat Type)



ERD

2xxxx (Shaft Type)



ERD

4XXXX (Flat Type)



ERD

5xxxx (Shaft Type)

FEATURES

- Molded-in terminals and fully sealed construction.
- Standard 2.54mm pin spacing.
- All plastics UL 94V-0 grade fire retardant.
- Reliable contact and long-term stability.
- Binary decimal (8 or 10 positions) and hexadecimal (16 positions), real and complementary codes available.
- Pin-out compatible with most of current equivalents.
- Gold plated contacts to ensure low contact resistance.

SPECIFICATIONS

1.ELECTRICAL

Contact rating	
switching	25 mA, 24 VDC
non-switching	100 mA
Contact resistance	100 m Ω Max.
Insulation resistance	1000 M Ω Min. at 100 VDC
Dielectric strength	250 VAC Min. for 60 seconds

2.MECHANICAL

Temperature Rating	
operating	-25 $^{\circ}$ C to +70 $^{\circ}$ C
storage	-40 $^{\circ}$ C to +85 $^{\circ}$ C
Operation force	500 gf-cm Max.
Mechanical life	2000 steps per position
Vibration	10Hz-50Hz-10Hz for 6Hrs.
Solderability (for through hole type)	after flux 230 \pm 5 $^{\circ}$ C for 5 \pm 0.5 seconds, 95% coverage

Resistance to soldering heat (for through hole type)	260±5℃ for 5±1 seconds
Reflow soldering heat for SMT type(reference only)	

PART NUMBERING SYSTEM

```

ERD X XX X X XX Z
|   |   |   |   |   |
|   |   |   |   |   | +--- Z:RoHS Compliant
|   |   |   |   | +--- Special number
|   |   |   | +--- Setting:
|   |   |   |   S:Standard Type (Top Adjust Type)
|   |   |   |   R:Right Angle Type with Row Spacing
|   |   |   |       2.54mm (Side Adjust Type)
|   |   |   |   F:Right Angle Type with Row Spacing
|   |   |   |       5.08mm (Side Adjust Type)
|   |   |   |   M:Surface Mounting Type with Top Tape
|   |   |   |       Sealed
|   |   |   |   D:Surface Mounting Type with Top Tape
|   |   |   |       Sealed in Tape & Reel Package
|   |   | +--- Code:
|   |   |   R:Real
|   |   |   C:Complement
|   |   |   A:Real/Cross Shaped Slot Type
|   |   |   B:Complement/Cross Shaped Slot Type
|   | +--- Number of positions: 08,10,16
| +--- Rotor:
|     1:Flat Type (pin out 3:3)
|     2:Shaft Type(pin out 3:3)
|     4:Flat Type (pin out 1:4)
|     5:Shaft Type(pin out 1:4)
+--- Series name: ERD:Rotary Type Sealed Construction

```

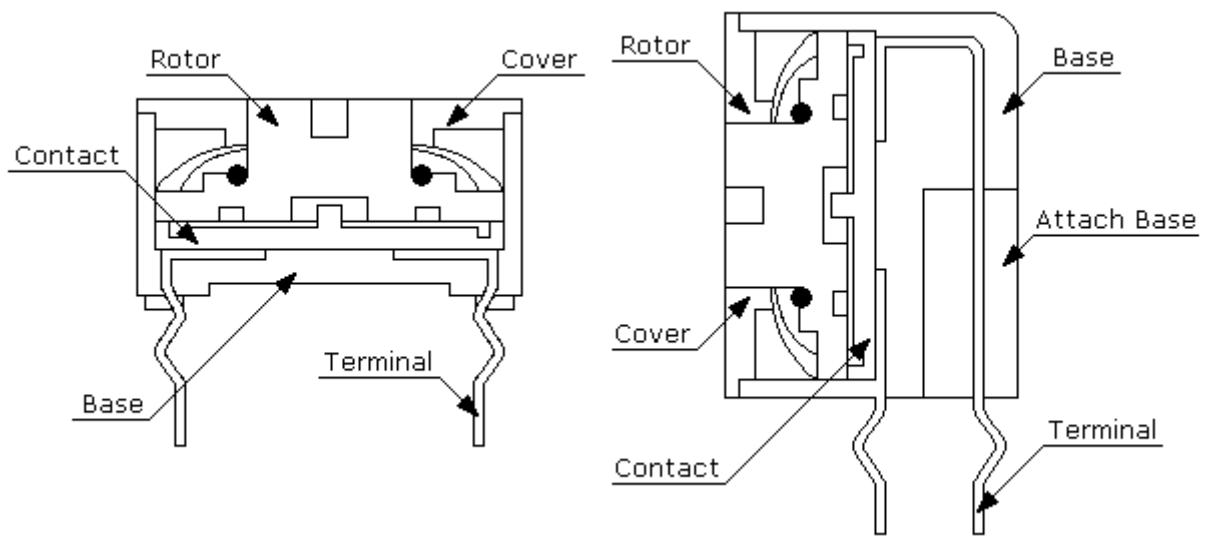
CODE

PIN NO.	POSITION															
	0	1	2	3	4	5	6	7	8	9	A	B	C	D	E	F
1	●	●	●	●	●	●	●	●	●	●	●	●	●	●	●	●
2	●	●	●	●	●	●	●	●	●	●	●	●	●	●	●	●
4	●	●	●	●	●	●	●	●	●	●	●	●	●	●	●	●
8	●	●	●	●	●	●	●	●	●	●	●	●	●	●	●	●

●Real Code Rotor color: White (3:3), Yellow (1:4)

●Complement Code Rotor color: Red (3:3), Orange (1:4)

CONSTRUCTION



OPTIONS

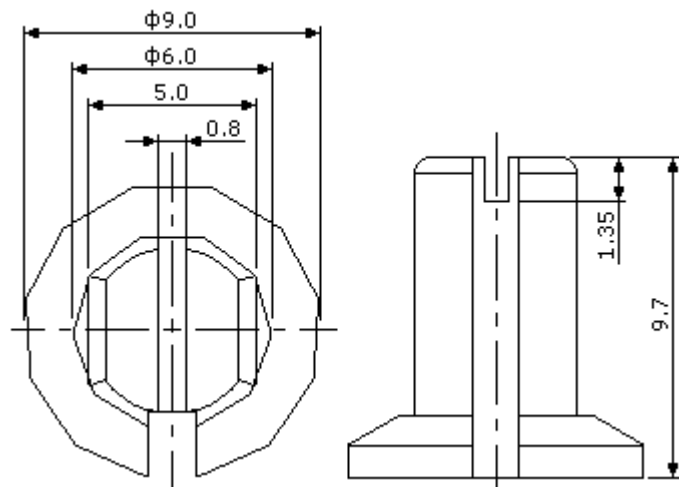
1. Shaft Cover

418-80100(White 3:3)

418-80200(Red 3:3)

418-80300(Yellow 1:4)

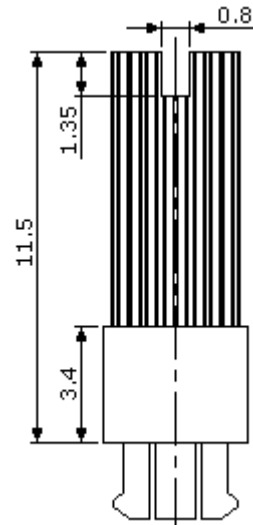
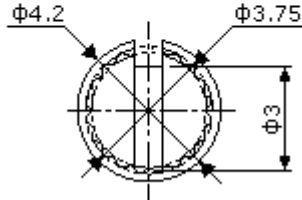
418-80400(Orange 1:4)



2. Shaft (For Cross Shaped Slot Type Only)

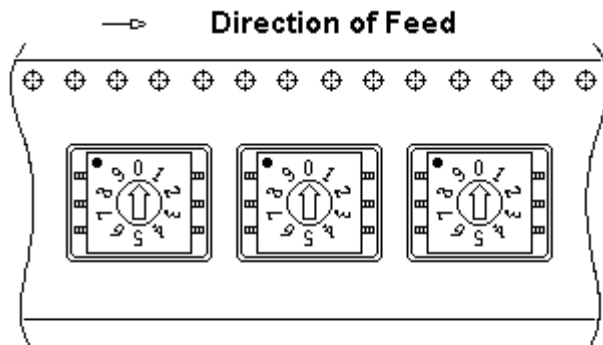
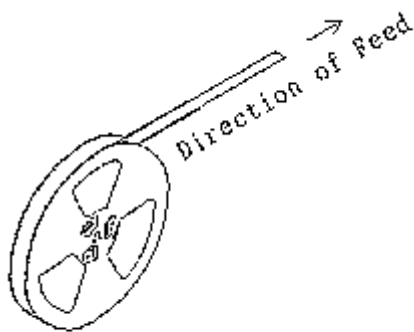
418-90100 (White 3:3)

418-90200 (Red 3:3)



PACKING

1. Tape & Reel Packaging (Per EIA STANDARD)



Each Reel contains 700pcs switches
with a 390mm minimum leader
and a 160mm minimum trailer

INTRODUCTION to ECE ROTARY DIP SWITCH

SIZE	POSITIONS	CODE	PIN OUT	ROTOR	TYPE	PART NUMBER
10x10	8,10,16	REAL, COMPLEMENT	3:3	FLAT, SHAFT	STANDARD	ERD1xxxS, ERD2xxxS
					RIGHT ANGLE	ERD1xxxR/F, ERD2xxxR/F
				FLAT	SMT	ERD1xxxM
					SMT IN T&R	ERD1xxxD
			1:4	FLAT, SHAFT	STANDARD	ERD4xxxS, ERD5xxxS
					RIGHT ANGLE	ERD4xxxR/F, ERD5xxxR/F
				FLAT	SMT	ERD4xxxM
					SMT IN T&R	ERD4xxxD

DIMENSIONS AND CIRCUITRY UNIT:mm(inch) PIN OUT 3:3

