

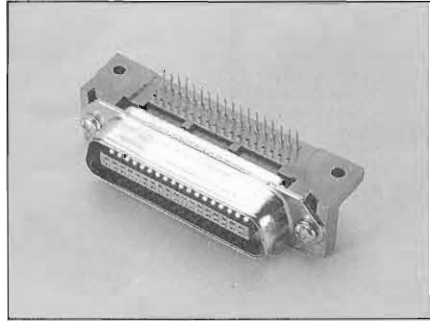
Centronic Connector Right Angle Type

57RA TYPE

MALE

Specifications:

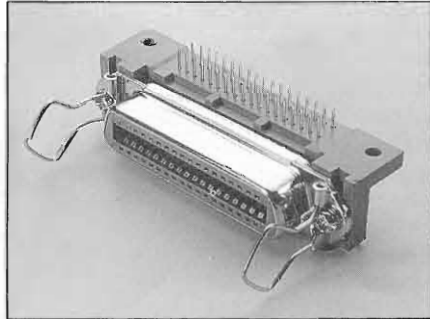
Shell: Steel Nickel Plated or Tin plated
 Pin Contact: Phosphor Bronze Gold plated over nickel
 Insulator: PBT & Glass-fiber reinforced UL-94V-0
 Number Of Contact: 14, 24, 36, 50
 Current Rating: 5 amp
 Dielectric Strength: 1000V for one minute
 Insulator Resistance: 1000M Ω Min at 500V DC
 Temperature: -55°C ~ +105°C



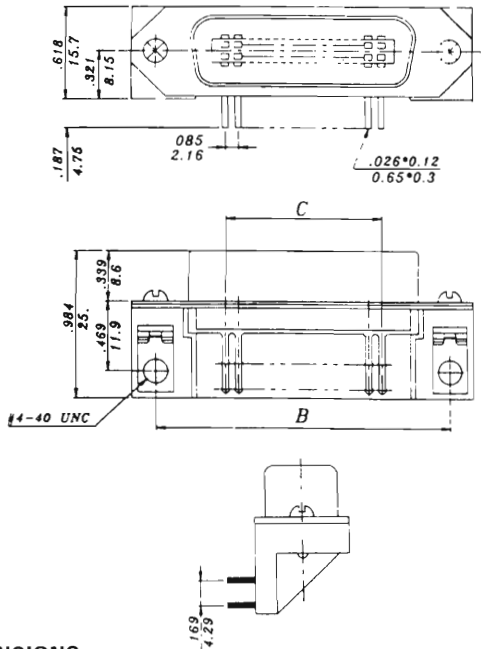
FEMALE

Specifications:

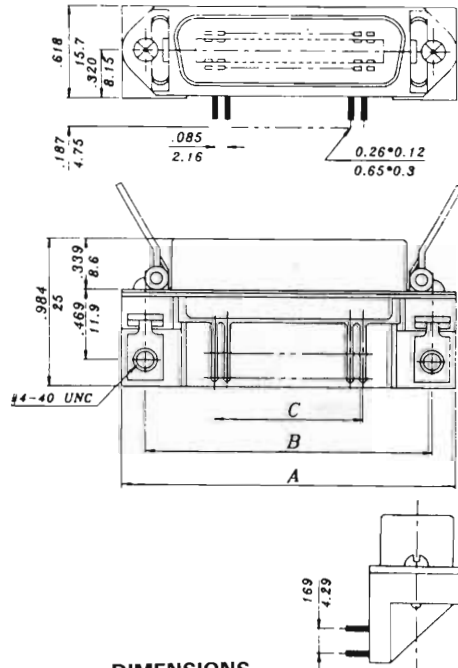
Shell: Steel Nickel plated or Tin plated
 Socket Contact: Phosphor bronze Gold plated over nickel
 Insulator: PBT & Glass-fiber reinforced UL-94V-0
 Number Of Contact: 14, 24, 36, 50
 Current Rating: 5 amp
 Dielectric Strength: 1000V for one minute
 Insulator Resistance: 1000M Ω Min at 500V DC
 Temperature: -55°C ~ +105°C



57-PR series



57-SR series



DIMENSIONS

Shell Size	A ± 0.008 ± 0.2	B ± 0.008 ± 0.02	C ± 0.004 ± 0.1
57-14PR	1.728 43.9	1.417 36.0	0.512 13.0
57-24PR	2.154 54.7	1.843 46.8	0.935 23.76
57-36PR	2.665 67.7	2.350 59.7	1.446 36.72
57-50PR	3.260 82.8	2.949 74.9	2.041 51.84

DIMENSIONS

Shell Size	A ± 0.008 ± 0.2	B ± 0.008 ± 0.02	C ± 0.004 ± 0.1
57-14SR	1.728 43.9	1.417 36.0	0.512 13.0
57-24SR	2.157 54.7	1.843 46.8	0.935 23.76
57-36SR	2.665 67.7	2.350 59.7	1.446 36.72
57-50SR	3.260 82.8	2.949 74.9	2.041 51.84