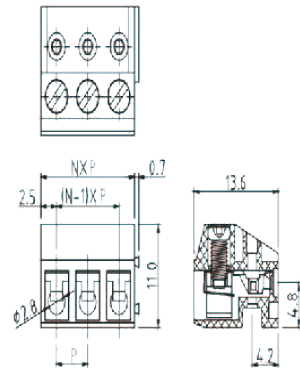


# PCB WIRE PROTECTOR TERMINAL BLOCKS



**EG332-5.0**

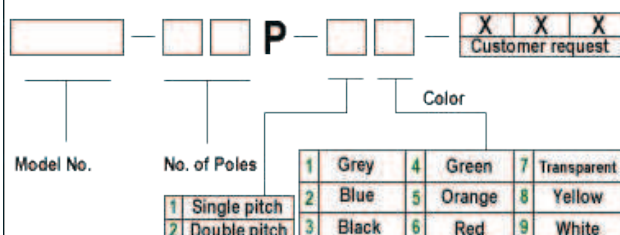
**Pitch: 5.0mm**



N: Number of poles P: Pitch

Standard	UL	IEC
Rated voltage	300V	250V
Rated current	10A	12A
Wire range	22-14AWG	1.5mm <sup>2</sup>
Withstanding voltage	AC2000V/1Min	
Torque	0.4Nm(3.5Lb-In.)	
Ambient temperature	-30°C~+120°C	
Strip length	5-6mm	
Pitch	5.0mm(.197")	
Poles	2P,3P-24P	
Housing	PA66,UL94V-0	
Screws	M2.5,steel,Cr <sup>3+</sup> Zn plated	
Contact	Phosphor bronze	
Cage	Brass,Ni plated	

## HOW TO ORDER



## EG:

