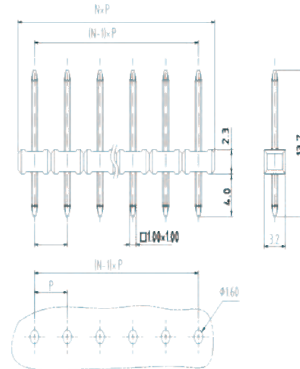


# PCB WIRE PROTECTOR TERMINAL BLOCKS



**EG332J-5.0**

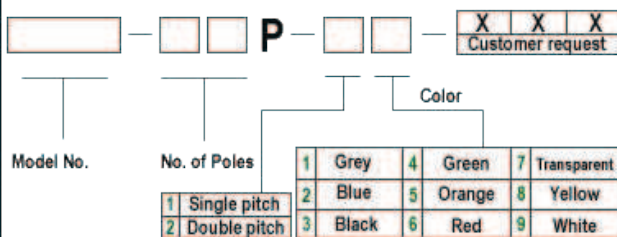
**Pitch: 5.0mm**



*N: Number of poles P: Pitch*

Standard	UL	IEC
Rated voltage	300V	250V
Rated current	10A	12A
Wire range	22-14AWG	2.5mm <sup>2</sup>
Withstanding voltage	AC2000V/1Min	
Torque	0.5Nm(4.4Lb-In.)	
Ambient temperature	-40°C~+105°C	
Strip length	5-6mm	
Pitch	5.0mm(.197")	
Poles	2P,3P-24P	
Housing	PA66+10%GF.,UL94V-0	
Contact	Brass,Tin plated	

## HOW TO ORDER



## EG:

