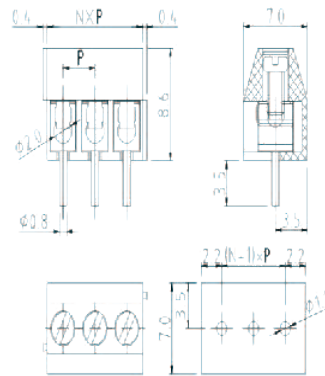
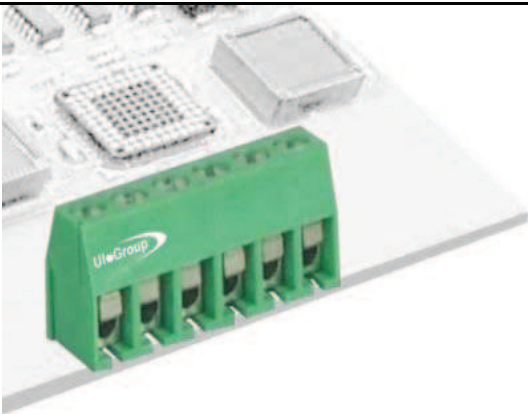


PCB WIRE PROTECTOR TERMINAL BLOCKS



EG350V-3.5 3.96

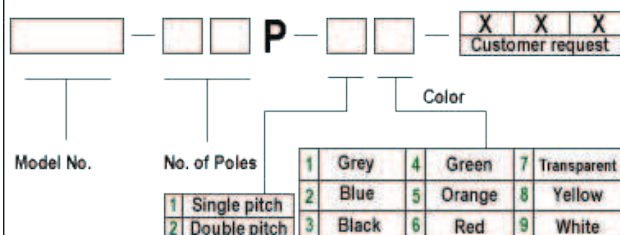
Pitch: 3.5mm 3.96mm



N: Number of poles P: Pitch

| Standard | UL | IEC |
|----------------------|-------------------------------------|--------------------|
| Rated voltage | 300V | 250V |
| Rated current | 7A | 10A |
| Wire range | 24-18AWG | 1.0mm ² |
| Withstanding voltage | AC1250V/1Min | |
| Torque | 0.2Nm(1.7Lb-In.) | |
| Ambient temperature | -40°C~+105°C | |
| Strip length | 5-6mm | |
| Pitch | 3.5mm(.138") 3.96mm(.156") | |
| Poles | 2P,3P-24P | |
| Housing | PA66+25%GF.,UL94V-0 | |
| Screw | M2,steel,Cr ³⁺ Zn plated | |
| Contact | Brass,Tin plated | |
| Cage | Phosphor bronze | |

HOW TO ORDER



EG:

