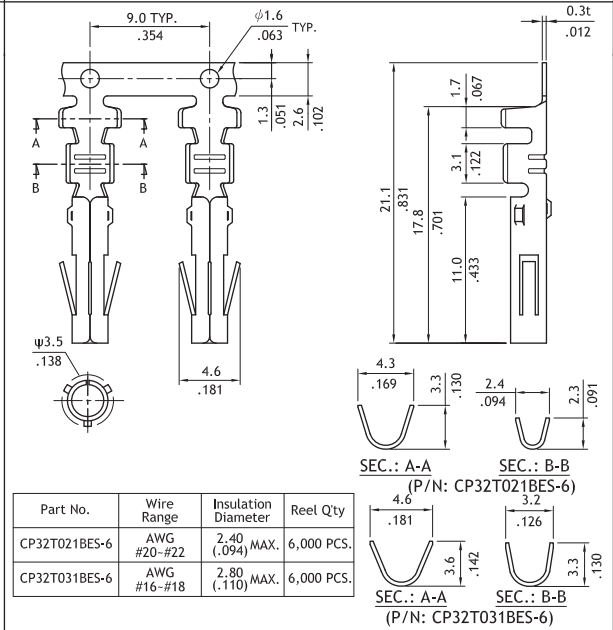
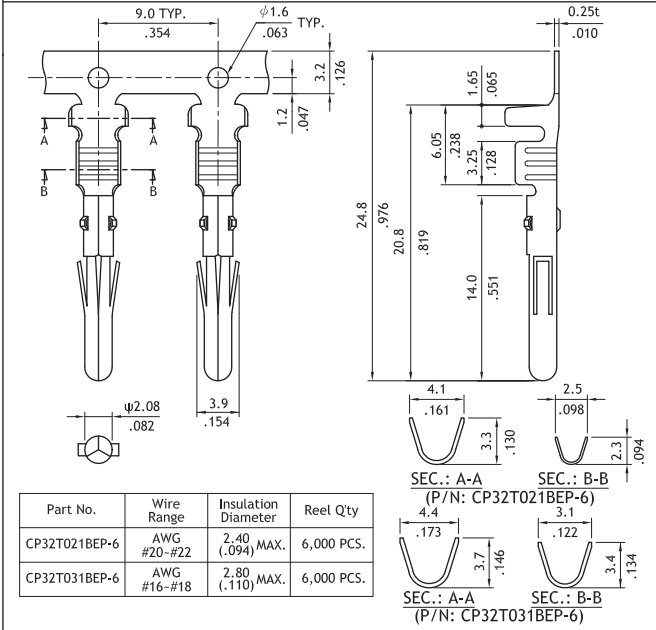
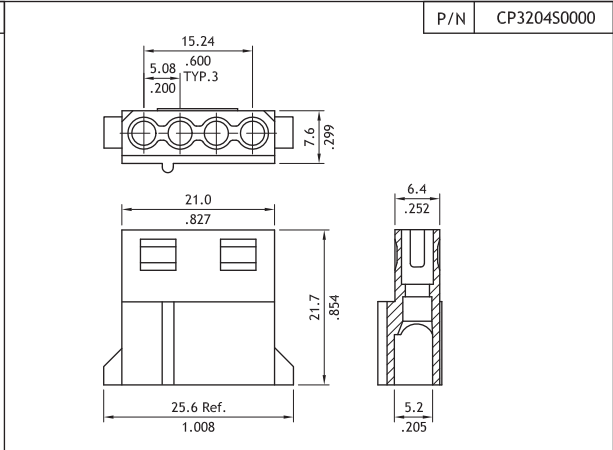
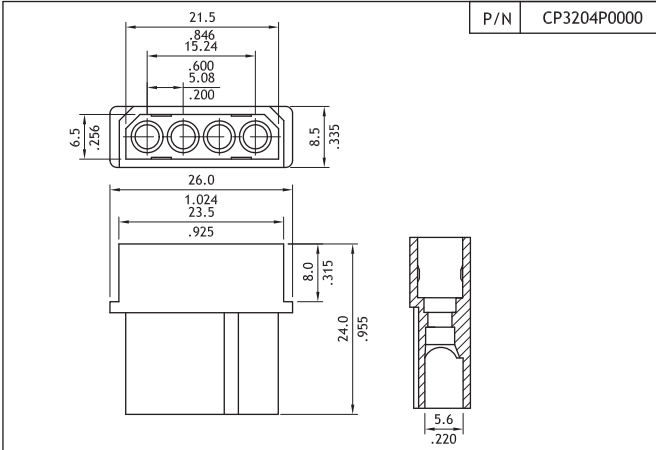
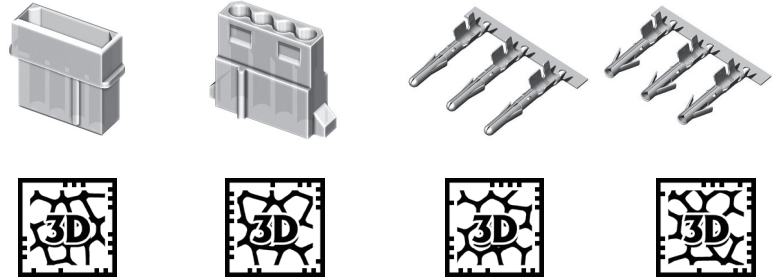


**CP32 Series 5.08mm (.200") Power Connectors**

- ⊙ Power connector for Disk Driver
- ⊙ Can be used CP32 Crimp terminal
- ⊙ Nylon 66 UL 94V-2, Color Nature
- ⊙ Terminal: Tin plated Brass

RoHS Compliant  



**Ordering Code**

① CP ② 32 ③ 04 ④ S ⑤ 000

- ① Series No.
- ② No. of Circuits: 04
- ③ Type: P = Plug  
S = Receptacle
- ④ Color: 0 = Nature
- ⑤ Other Options:  
000 = Standard  
\*Special options consult manufacturer