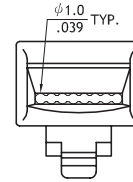
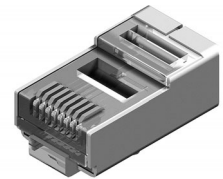
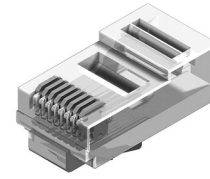
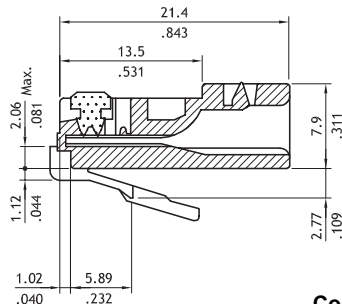
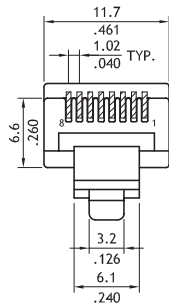


CJP2 Series Telephone Modular Plugs

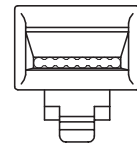
- Available 10 only ways
- Plugs available for stranded or solid conductor from AWG #24~#26
- With shielded and fits round or flat-oval cable
- Insulator: Clear, Polycarbonate

RoHS Compliant

8 Position



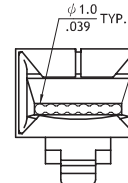
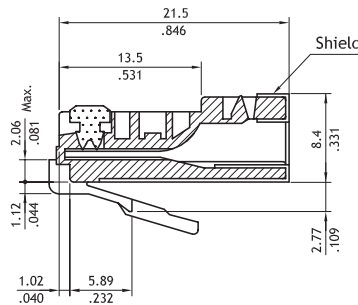
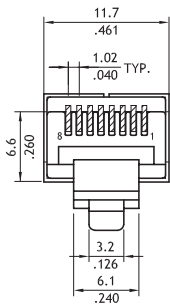
Flat-oval Cable



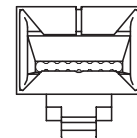
Round Cable

Comet Electronics P/N: TPL8P(RJ45)

8 Position



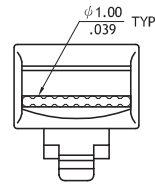
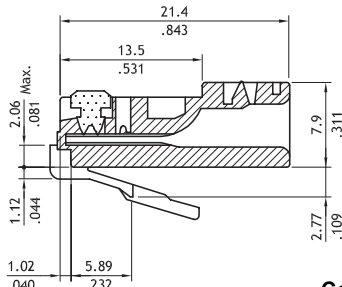
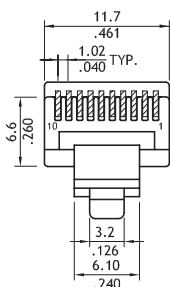
Flat-oval Cable



Round Cable

Comet Electronics P/N: TPL8PRS

8 Position



Round Cable

Comet Electronics P/N: TPL8PR

Ordering Code

1 **2** **3** **4** **5** **6** **7**
C J P 2 **8 8** **2** **1** **0** **R** **0**

- 1** Series No.
2 Contacts:
 88= 8P8C
 AA= 8P10C

- 3** Plating code:
 2= Gold flash over Nickel
 *Optional plating available but MOQ requested
4 Latch style : 1= Standard

- 5** Color Code : 0= Nature
6 Cable type:
 F= Flat -oval cable
 R= Round cable
7 Other options :
 0= Without Shield
 S= With Shield
 *Special options consult manufacturer