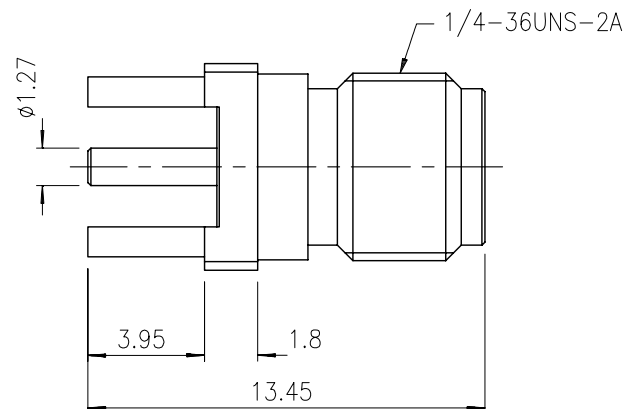
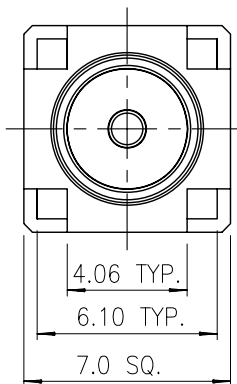
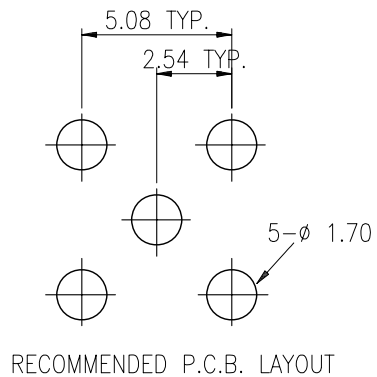


RoHS COMPLIANT

REVISIONS

ZONE	REV	DESCRIPTION	DATE	APPROVED
	A	INITIAL DESIGN		



TITLE SMA Straight Jack for PCB Mount

DWG NO.	CUSTOMER P/N	UNIT mm	REV. A
GENERAL TOLERANCES		SCALE Free	APPROVALS
.X	±0.25	SIZE A4	DATE
.XX	±0.12		DRAWN BY: 2009/05/05
.XXX	NA		CHK'D BY: 2009/05/05
ANGLES	±3°		APP'D BY: 2009/05/05
(UNLESS OTHERWISE SPECIFIED)		SHEET 1 of 1	

NO	DESCRIPTION	MATERIAL	FINISH	Q'TY	DRAWN NO.
04	RING	BRASS	GOLD	1	
03	CONTACT	BERYLLIUM COPPER	GOLD	1	
02	INSULATOR	TEFLON	NONE	1	
01	BODY	BRASS	GOLD	1	