

General data

PARAMETER	SPECIFICATION
Coil former material	Polyethylenterephthalate (PET), glass reinforced, flame retardant in accordance with „UL 94V-0“; UL file number E41938
Pin material	Copper-tin alloy (CuSn), tin - (Sn) plated
Maximum operating temperature	180°C, “IEC 60085”, class H
Resistance to soldering heat	“IEC 60068-2020”, Part 2, Test Tb, method 1B: 350°C, 3.5 s
Solderability	“IEC 60068-2020”, Part 2, Test Ta, method 1: 235°C, 2 s

Winding data

NUMBER OF SECTIONS	WINDING AREA (mm ²)	MINIMUM WINDING WIDTH (mm)	AVERAGE LENGTH OF TURN (mm)	TYPE NUMBER
1	250	33.20	120	CPH-E55/28/21-1S-22PD-Z

FERROXCUBE



c

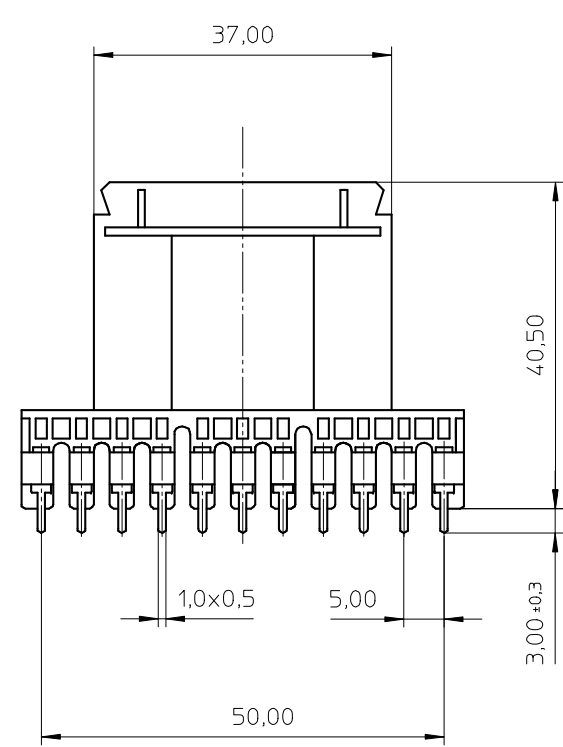
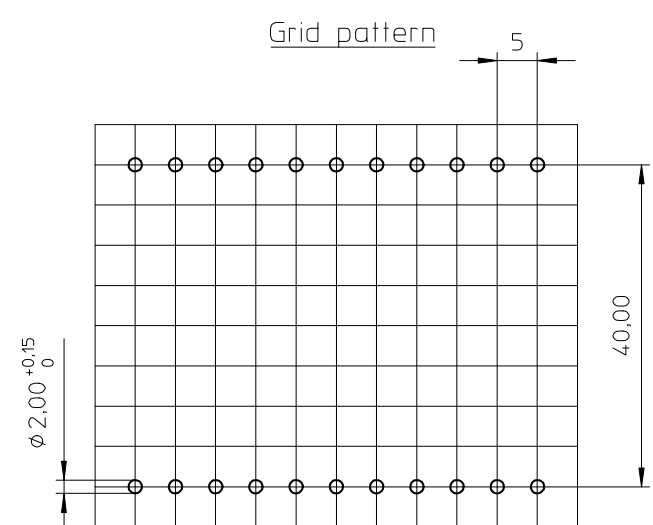
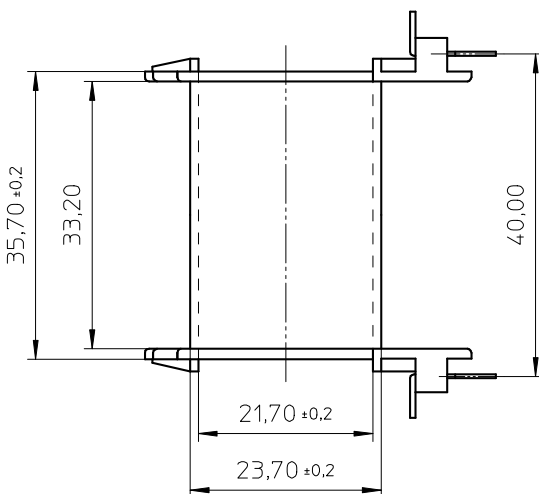
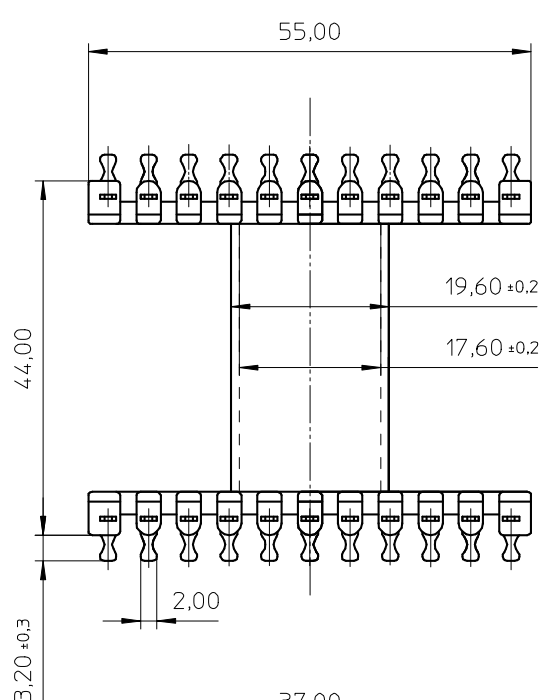


d



e

f



Coil former material: Rynite FR530 (PET), glass-reinforced, UL file number: E41938 - UL94V-0.

max. operating temp: 180°C, class H

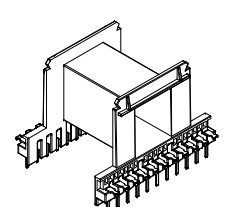
pin material: CuSn, Sn plated.

solderability: acc. to IEC 60 068-2-20 part2, Test Ta method 1, 235°C-2sec.

Resistance to soldering heat: acc. to IEC 60 068-2-20 part2, Test Tb, medtod 1, 350°C-3,5sec

mean length of turn: 120 mm

winding area: 250²mm



CLASSNO.		CPH-E55/28/21-1S-22PD-Z		4322 021 06791		07-10-18	
NAME NAAM	A.Wojtasz	SUPERS. VERV.		SFISH BL/BL	-	A3	
MPA	CHECK CONTR.	DAT.	07-10-18	Property of Eigenaam van	© FERROXCUBE 2007		