

## PUSH WIRE® connector for junction boxes; 3-conductor terminal block

Item No.: 273-403



PUSH WIRE® connector for junction boxes; 3-conductor terminal block

### Marking

RoHS ✓  
Compliant

### Business data

Supplier	WAGO
Item no.	273-403
GTIN / EAN	4044918852142
Content	1
Order amount	50
Customer item number	

### Notes

### Technical data

#### Miscellaneous

Total number of connection points	3
Total number of potentials	1
Color	gray
Pollution degree (1)	2
Rated voltage EN (1) [V]	400 [V]
Rated surge voltage (1) [kV]	4 [kV]
Nominal current [A]	32 [A]
Connection technology (1)	PUSH WIRE®
Solid sizes 1	1.5 ... 4 mm <sup>2</sup> / 14 ... 10 AWG
Strip length 1	12 ... 15 mm / 0.47 ... 0.59 in

Technical data	
Type of wiring	Side-entry wiring
Fire load [MJ]	0.085 [MJ]
Weight [g]	5.259 [g]
Height [mm]	15.5 [mm]
Altitude [in]	0.61 [in]
Safety information 1	In grounded power lines

Approbation					
Item No.	Registration	Registration no.	Voltage [V]	Current [A]	Cross section [mm², AWG]
273-403	ABS	10-HN17750340X	400	32	4
273-403	BV	11941/BO	400	32	4
273-403	CCA	DK2515	400	32	4
273-403	CSA	154112-1059435	600	30	14-10"s"
273-403	DEMKO	40677-02	400	32	4
273-403	DNV	E-9215	400	32	4
273-403	FIMKO	FI24029	400	32	4
273-403	FIMKO	24029	400	32	1.50-4.00
273-403	GL	17294-00HH	400	32	4
273-403	KEMA	97,1394.02	400	32	1,5-4
273-403	LR	04/20013(E3)	400	32	4
273-403	NEMKO	P08108775	400	32	4
273-403	OEVE	1193-033-05	400	32	4
273-403	PSE	JET0695-43040-1001	600	30	10-12"s"
273-403	RosTest	AB24 B04007			
273-403	SEMKO	9921002/01-03	400	32	4
273-403	SEV	10.0146	400	32	4
273-403	UL	CCA-DK No. 2515	400	32	
273-403	UL	E69654	600	20	10-12"s"
273-403	VDE	40024011	400	32	4

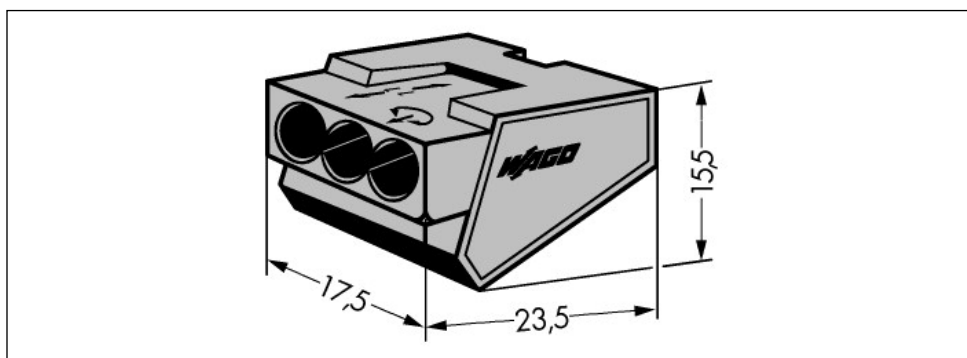
## Accessories

**Accessories**

*General accessory*

Item no.	Description	Pack. unit (Sub Pack)
249-130	Syringe; Contents: 20 ml Alu-Plus contact paste	5
273-150	Mounting carrier	10

Images & drawings





#### Address

WAGO Kontakttechnik GmbH & Co. KG

Hansastr. 27

32423 Minden

Telefon: 0571/887-0

Fax: 0571/887-169

<http://www.wago.com>

© WAGO Kontakttechnik GmbH & Co. KG

Technische Änderungen und Irrtümer vorbehalten.