

## Modular PCB terminal block; 2 solder pins/pole; 1-pole; pin spacing 5/5.08 mm / 0.2 in

Item No.: 236-747



Modular PCB terminal block; 2 solder pins/pole; 1-pole; pin spacing 5/5.08 mm / 0.2 in

### Marking

RoHS ✓  
Compliant

### Business data

Supplier	WAGO
Item no.	236-747
GTIN / EAN	4044918774536
Content	1
Order amount	100
Customer item number	

### Notes

Modular terminal blocks with CAGE CLAMP® connection, screwdriver actuation parallel or perpendicular to conductor entry Also available with Ex e approval For custom terminal strip assemblies Operating tools for factory wiring 45° connection angle permits a wide range of uses and wiring options Set to metric or inch pin spacing by compressing terminal strips together or pulling them apart

### Technical data

#### Miscellaneous

No. of Poles	1
Total number of connection points	1
Total number of potentials	1
Color	light green
Ratings according to 1	IEC/EN 60664-1
Overvoltage category EN 1	III

<b>Technical data</b>	
<i>Pollution degree (1)</i>	2
<i>Rated voltage EN (1) [V]</i>	320 [V]
<i>Rated surge voltage (1) [kV]</i>	4 [kV]
<i>Nominal current [A]</i>	24 [A]
<i>Overvoltage category EN 2</i>	II
<i>Degree of pollution (2)</i>	2
<i>Rated voltage EN (2) [V]</i>	630 [V]
<i>Rated surge voltage (2) [kV]</i>	4 [kV]
<i>Nominal current (2) [A]</i>	24 [A]
<i>Overvoltage category EN 3</i>	III
<i>Degree of pollution (3)</i>	3
<i>Rated voltage EN (3) [V]</i>	250 [V]
<i>Rated surge voltage (3) [kV]</i>	4 [kV]
<i>Nominal current (3) [A]</i>	24 [A]
<i>Connection technology (1)</i>	CAGE CLAMP®
<i>Solid sizes 1</i>	0.08 ... 2.5 mm <sup>2</sup> / 28 ... 12 AWG
<i>Fine-stranded wires 1</i>	0.08 ... 2.5 mm <sup>2</sup> / 28 ... 12 AWG
<i>Fine-stranded wires with insulated ferrule 1</i>	0.25 ... 1.5 mm <sup>2</sup> / ...
<i>Fine-stranded wires with uninsulated ferrule 1</i>	0.25 ... 1.5 mm <sup>2</sup> / ...
<i>Strip length 1</i>	5 ... 6 mm / 0.2 ... 0.24 in
<i>Conductor entry angle to the PCB (degrees) [°]</i>	45 [°]
<i>Type of wiring</i>	Front-/Side-entry wiring
<i>Solder pin length [mm]</i>	4 [mm]
<i>Solder pin width A [mm]</i>	0.7 [mm]
<i>Solder pin width B [mm]</i>	0.7 [mm]
<i>Drilled hole diameter [mm] [mm]</i>	1.1 [mm]
<i>Tolerance of drilled hole diameter [mm] [mm]</i>	+0.1 [mm]
<i>Material group</i>	I
<i>Insulating material</i>	Polyamide 6.6 (PA 6.6)
<i>Flammability rating per UL 94</i>	V0
<i>Lower limit temperature [C]</i>	-60 [C]
<i>Upper temperature limit [C]</i>	105 [C]
<i>Clamping spring material</i>	Chrome-nickel spring steel (CrNi)
<i>Contact material</i>	Electrolytic copper (Ecu)

Technical data	
Contact plating	<i>tin-plated</i>
Fire load [MJ]	<i>0.012 [MJ]</i>
Weight [g]	<i>0.857 [g]</i>
Height [mm]	<i>13 [mm]</i>
Altitude [in]	<i>0.512 [in]</i>
Pin spacing from [mm]	<i>5 [mm]</i>
Pin spacing up to [mm]	<i>5.08 [mm]</i>
Pin spacing from [in %]	<i>0.197 [in %]</i>
Pin spacing up to [in]	<i>0.2 [in]</i>

Approbation					
Item No.	Registration	Registration no.	Voltage [V]	Current [A]	Cross section [mm <sup>2</sup> , AWG]
236-747	<i>BV</i>	<i>11915/BO</i>	<i>500/250</i>	<i>16</i>	<i>0,08-2,5</i>
236-747	<i>CCA</i>	<i>NTR NL-7109</i>	<i>500</i>	<i>24</i>	<i>0.08-2.50</i>
236-747	<i>CCA</i>	<i>NL6247</i>	<i>400</i>	<i>24</i>	<i>0,08-2,5</i>
236-747	<i>CCA</i>	<i>2168090.01</i>	<i>500</i>	<i>24</i>	<i>0.08-2.50</i>
236-747	<i>CSA</i>	<i>154112-1673957</i>	<i>300</i>	<i>15</i>	<i>28-12</i>
236-747	<i>DNV</i>	<i>E-9215</i>	<i>400</i>	<i>16</i>	<i>0,5-2,5</i>
236-747	<i>GL</i>	<i>17296-00HH</i>	<i>500/250</i>	<i>16</i>	<i>0,5-2,5</i>
236-747	<i>KEMA</i>	<i>2110204.01</i>	<i>250</i>	<i>24</i>	<i>0,08-2,5</i>
236-747	<i>UL</i>	<i>E45172</i>	<i>300</i>	<i>10</i>	<i>28-12</i>

Accessories		
End plate		
Item no.	Description	Pack. unit (Sub Pack)
236-700	End plate; 1 mm thick; snap-fit type	100

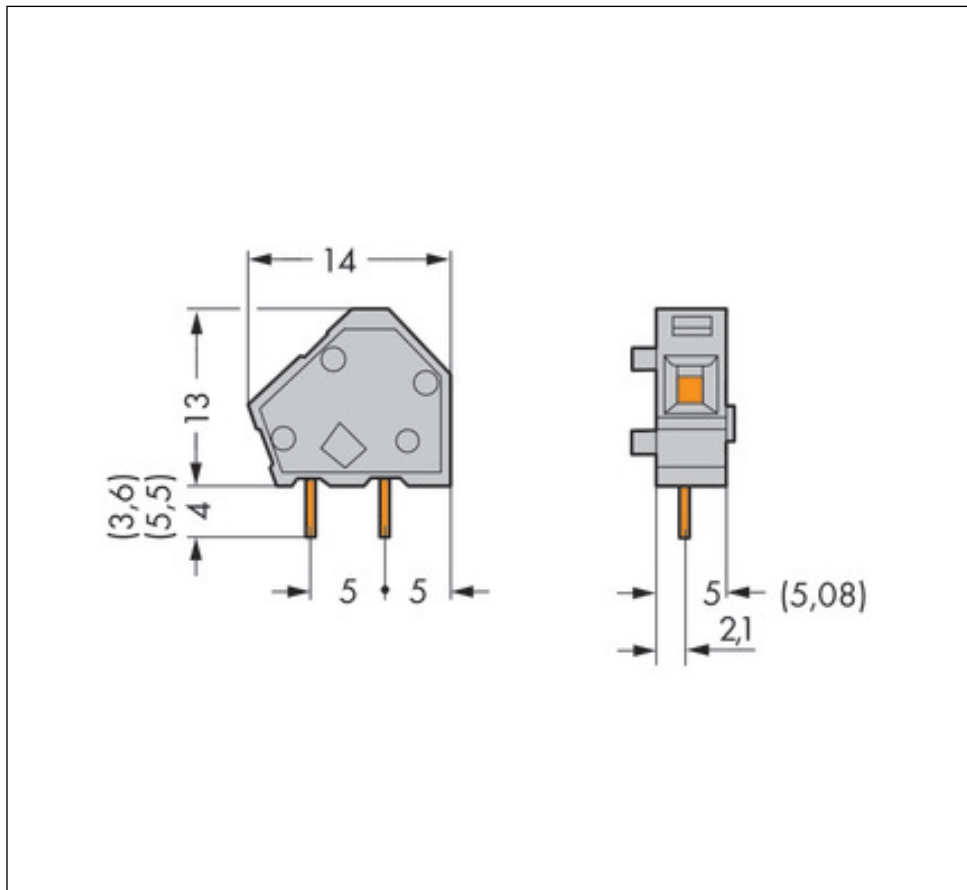
## Accessories

### General accessory

Item no.	Description	Pack. unit (Sub Pack)
210-191	Stickers for operating instructions; for PCB terminal blocks; 236 Series	100
210-657	Operating tool with partially insulated shaft; blade (3.5 x 0.5) mm; short; suitable for 260, 261, 262, 264, 270, 280, 281, 869, 870 and 880 Series	1
210-658	Operating tool with partially insulated shaft; blade (3.5 x 0.5) mm; short; angled; particularly suitable for 280 Series actuator and sensor terminal blocks and also for Series 260, 261, 262, 264, 280, 281, 869, 870, 880, 2002,	1
210-720	Operating tool with partially insulated shaft; Type 2, blade (3.5 x 0.5) mm; suitable for 260, 261, 262, 264, 270, 280, 281, 290, 775, 776, 777, 769, 780, 781, 869, 870, 880, 2002, 2003, 2004, 2005 and 2022 Series	1
236-332	Operating tool; plastic	50

Images & drawings





#### Address

WAGO Kontakttechnik GmbH & Co. KG

Hansastr. 27

32423 Minden

Telefon: 0571/887-0

Fax: 0571/887-169

<http://www.wago.com>

© WAGO Kontakttechnik GmbH & Co. KG

Technische Änderungen und Irrtümer vorbehalten.