

DETAILS

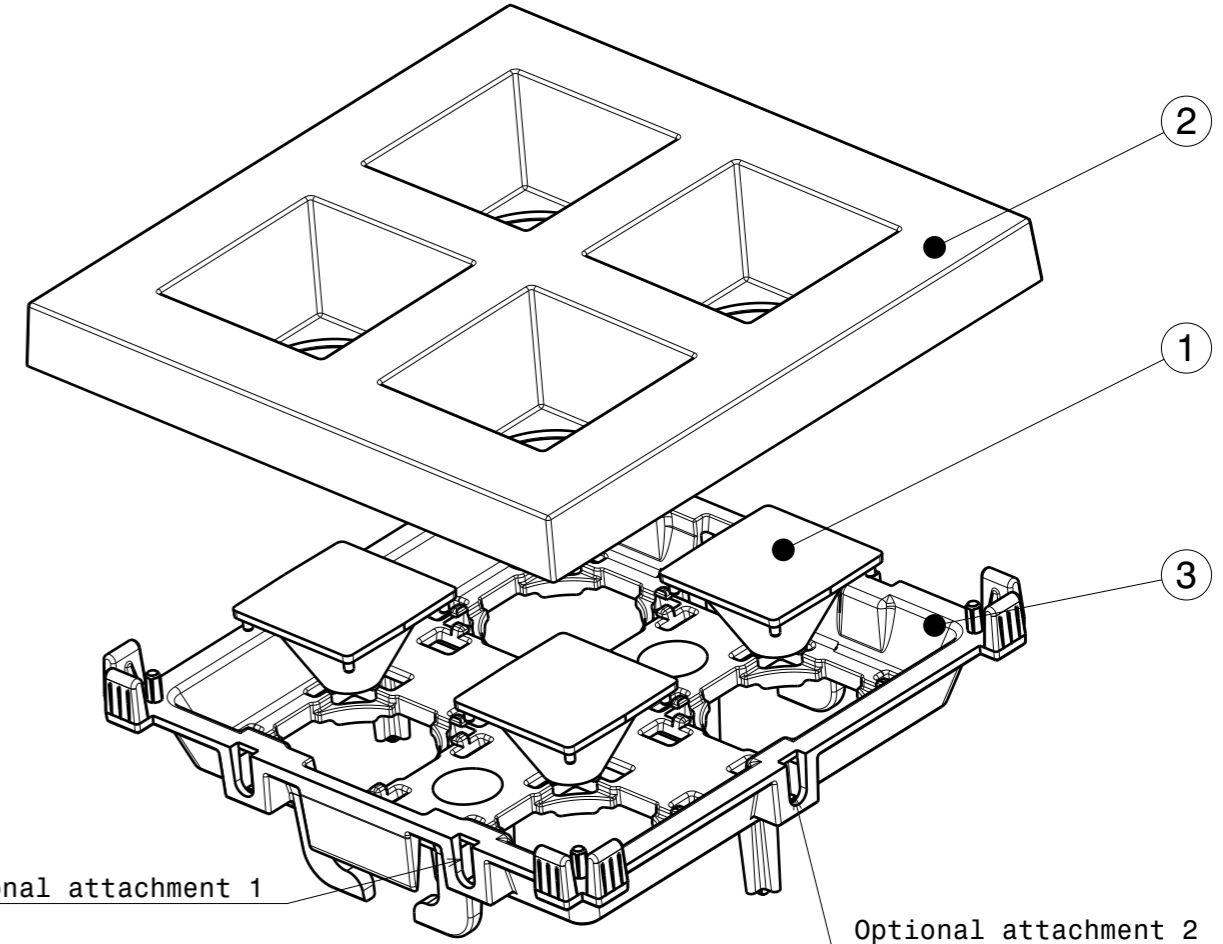
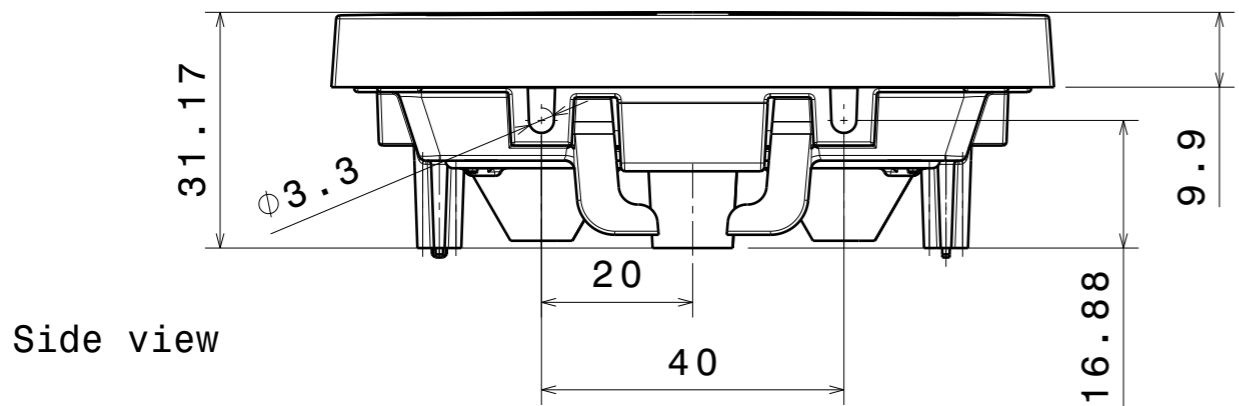
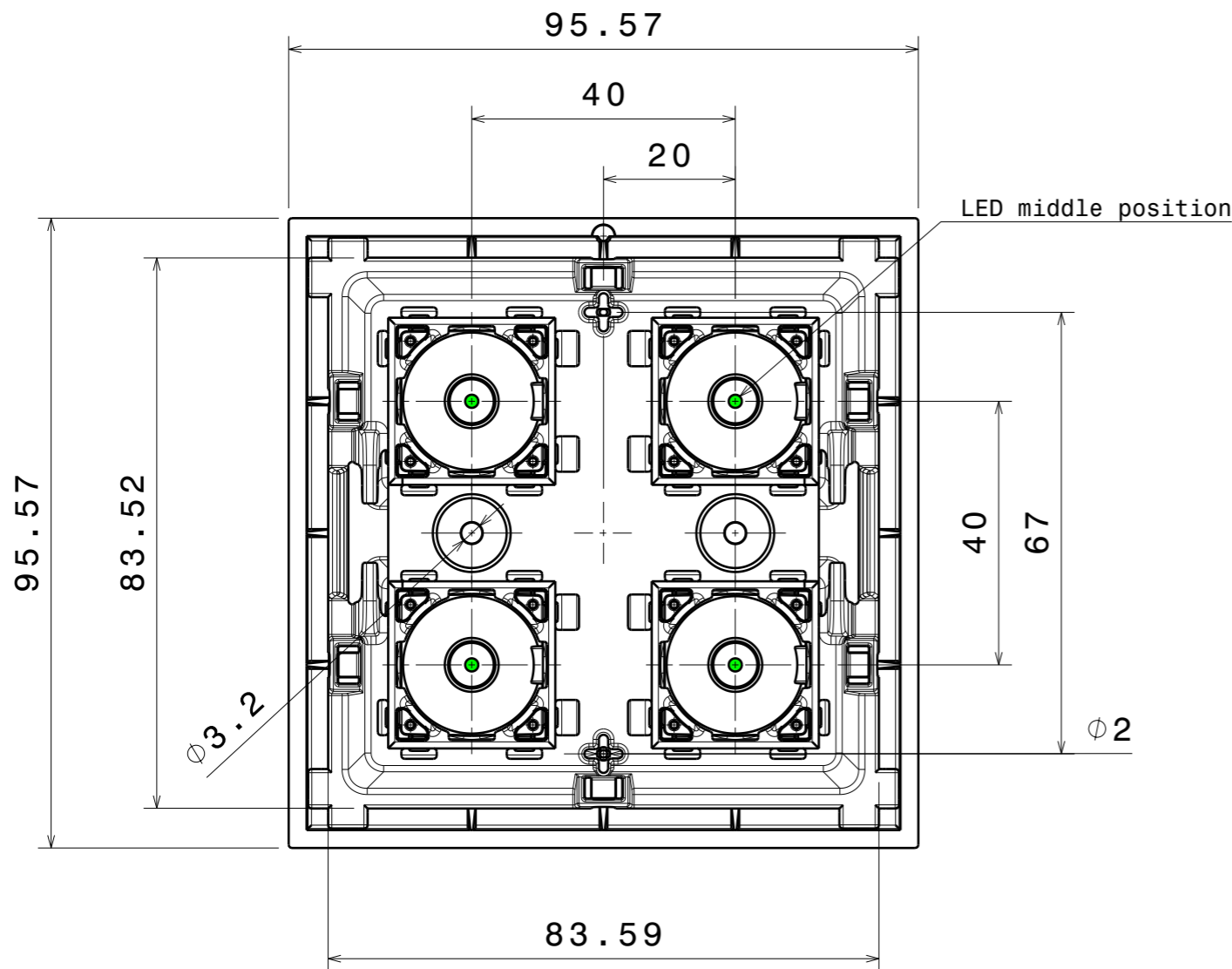
| | |
|------------------------|--------------------------|
| Product Number | FC14972_FLORENTINA-2X2-D |
| Family | Florentina-2X2 |
| Type | Pack |
| Color | black |
| Diameter | 95,57x95,57 mm |
| Height | 17,72 mm |
| Style | square |
| Optic Material | |
| Holder Material | |
| Fastening | screw, pin |
| Status | production ready |
| ROHS Compliant | Yes |
| Date Updated | 24/08/2016 |



OPTICAL PROPERTIES

| LED | Viewing Angle | Light Beam | Efficiency | cd/lm | Connector |
|-------------------|---------------|------------|------------|-------|-----------|
| XP-L | 19 deg | | 77 % | 5.500 | - |
| XHP35 HD | 21 deg | | 80 % | 4.700 | - |
| LUXEON TX | 15 deg | | 82 % | 8.700 | - |
| LUXEON MZ | 20 deg | | 78 % | 5.300 | - |
| NVSxx19B/NVSxx19C | 18 deg | | 81 % | 6.800 | - |
| Oslon Square EC | 15 deg | | 81 % | 8.200 | - |
| Oslon Square Gen3 | 15 deg | | 76 % | 8.300 | - |

H G F E D C B A



Isometric view
Scale: 1:1

Isometric view
Scale: 1:1

Assembly:

1. Attach lenses by pressing them down until they snap into place.
2. Screw the holder (with lenses assembled) to PCB. Inspect that the positioning pins are securely in their holes.
3. Press the shade down on the holder until they are securely attached.

Optional side attachment: The holder can also be attached with DIN 7985 M3 nuts

1. One nut per side for rotational attachment
2. Two per side for fixed beam direction

Recommendations:

Screw type DIN 7985 M3, max. torque 0.6Nm

Compatible with Strada-2X2MX PCB

Tolerances if not otherwise shown
According to DIN ISO 2768-1
Linear measures:
up to 30mm class M, otherwise class C
According to DIN ISO 2768-2
Form and position: class L

LEDiL LediL Oy
Salorankatu 10
FIN 24240 SALO
Finland

THIRD ANGLE PROJECTION:

DRAWING TITLE
FLORENTINA-2x2 assembly

This drawing is the property of LEDiL Oy. It may not be reproduced, copied or communicated without a written agreement with LEDiL Oy.

| | | | |
|------|-------------|--|--|
| SIZE | PART NUMBER | | |
| A3 | - | | |

| INDEX | PART NO | DESCRIPTION | MATERIAL | COLOUR |
|-------|---------|--------------------|----------|--------|
| 1 | - | CMC / MRK lenses | - | |
| 2 | C14734 | FLORENTINA-2X2-SHD | PC | black |
| 3 | C14735 | FLORENTINA-2X2-HLD | PC | black |

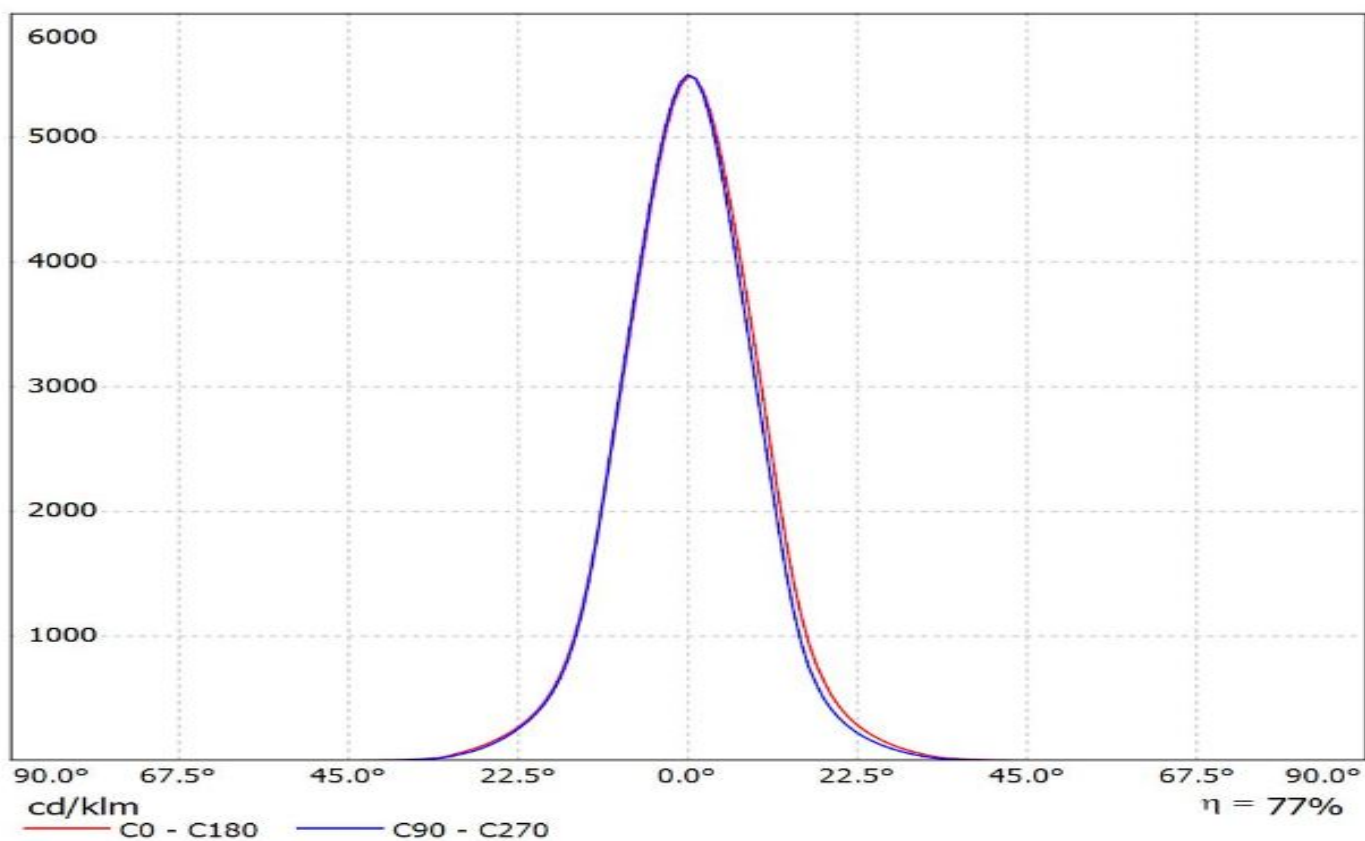
| | | | | | |
|-------|-----|--------|---|-------|-----|
| SCALE | 1:1 | WEIGHT | - | SHEET | 1/1 |
|-------|-----|--------|---|-------|-----|

H G F E D C B A

Ledil FC14972_FLORENTINA-2X2-D_(XP-L) / LDC (Linear)

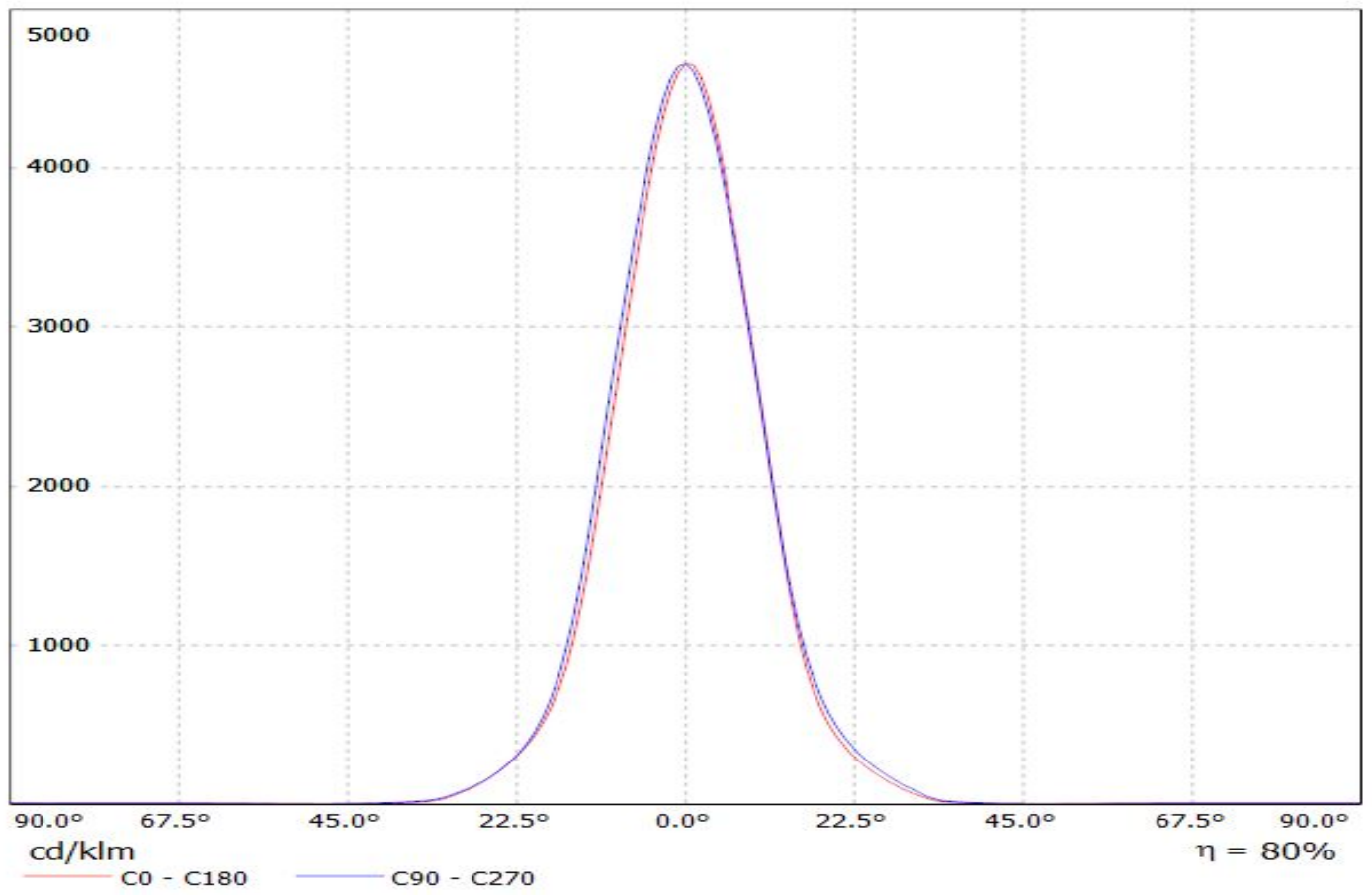
Luminaire: Ledil FC14972_FLORENTINA-2X2-D_(XP-L)

Lamps: 1 x CREE_XP-L_2x2MX_(XPLAWT-0-1B0-V40-00-0001)_515.493lm@250mA_P=2.8W_I=0.25A



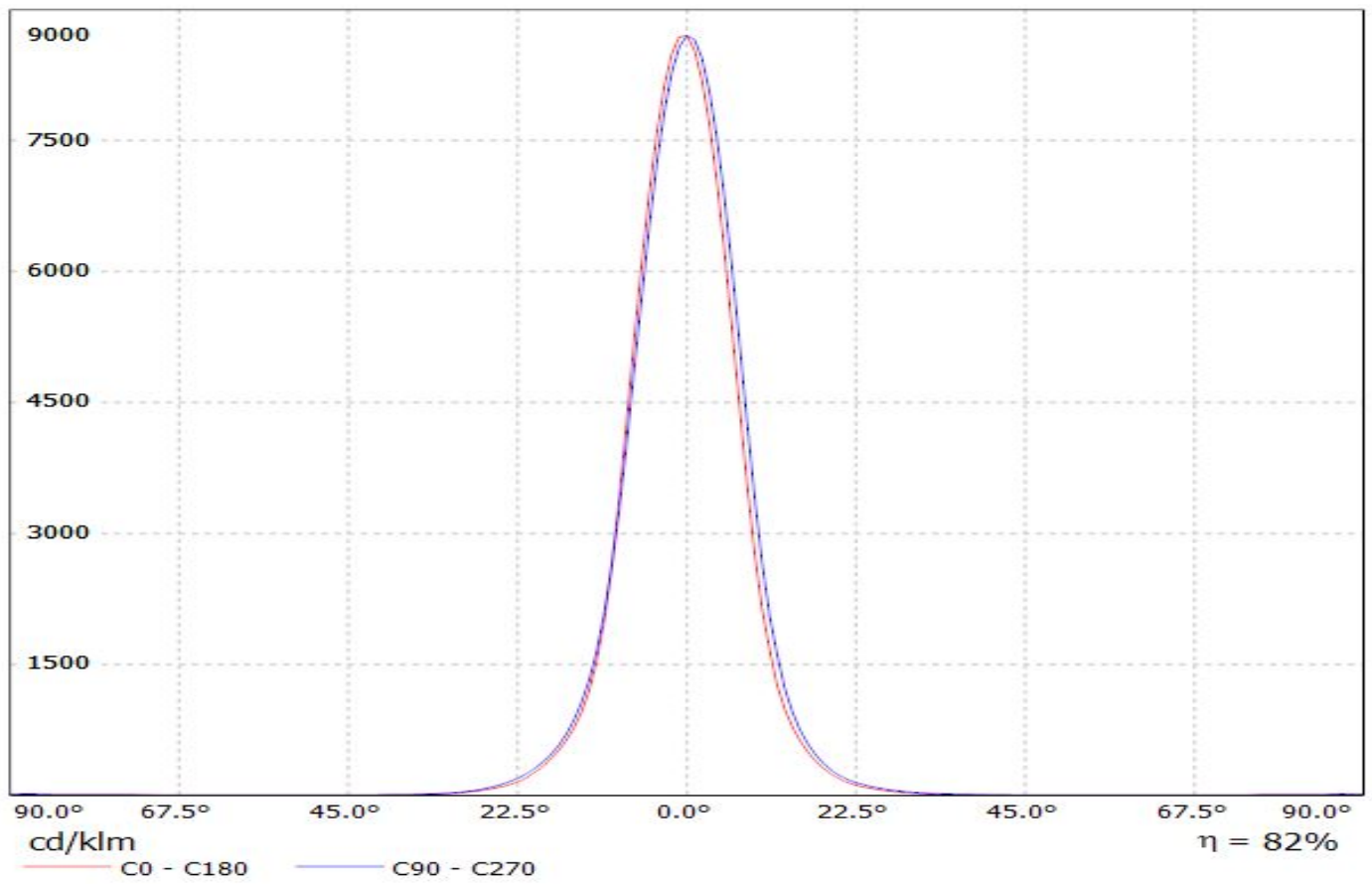
Luminaire: LEDiL Oy FC14972_FLORENTINA-2X2-D_(XHP35-HD)

Lamps: 1 x XHP35-HD_(XHP35A-0-2D0-D40-D0-B-01)_1705.7lm@250mA_P=11.219W_I=0.250A



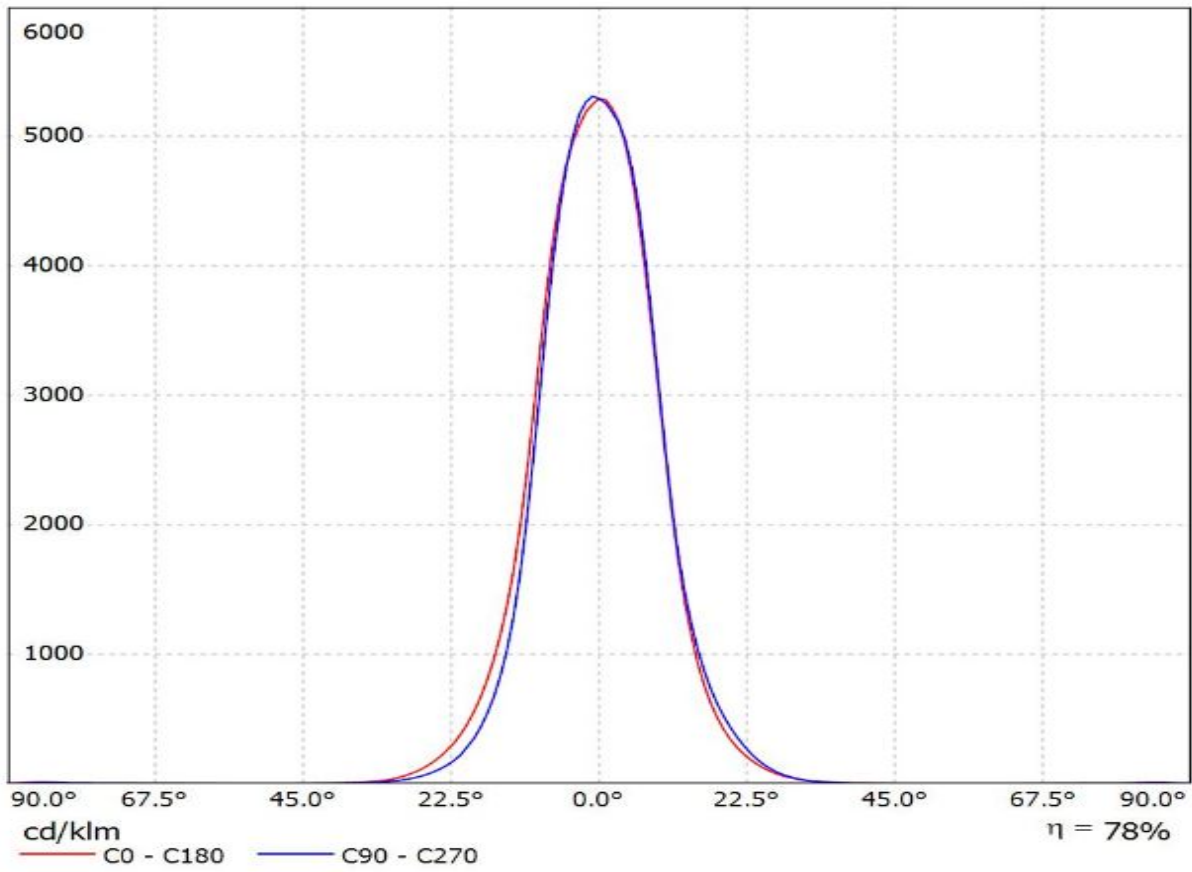
Luminaire: LEDiL Oy FC14972_FLORENTINA-2X2-D_(Luxeon_TX)

Lamps: 1 x Luxeon_TX_(L1T2-3080000000000)_344.318lm@250mA_P=2.85411W_I=0.250A

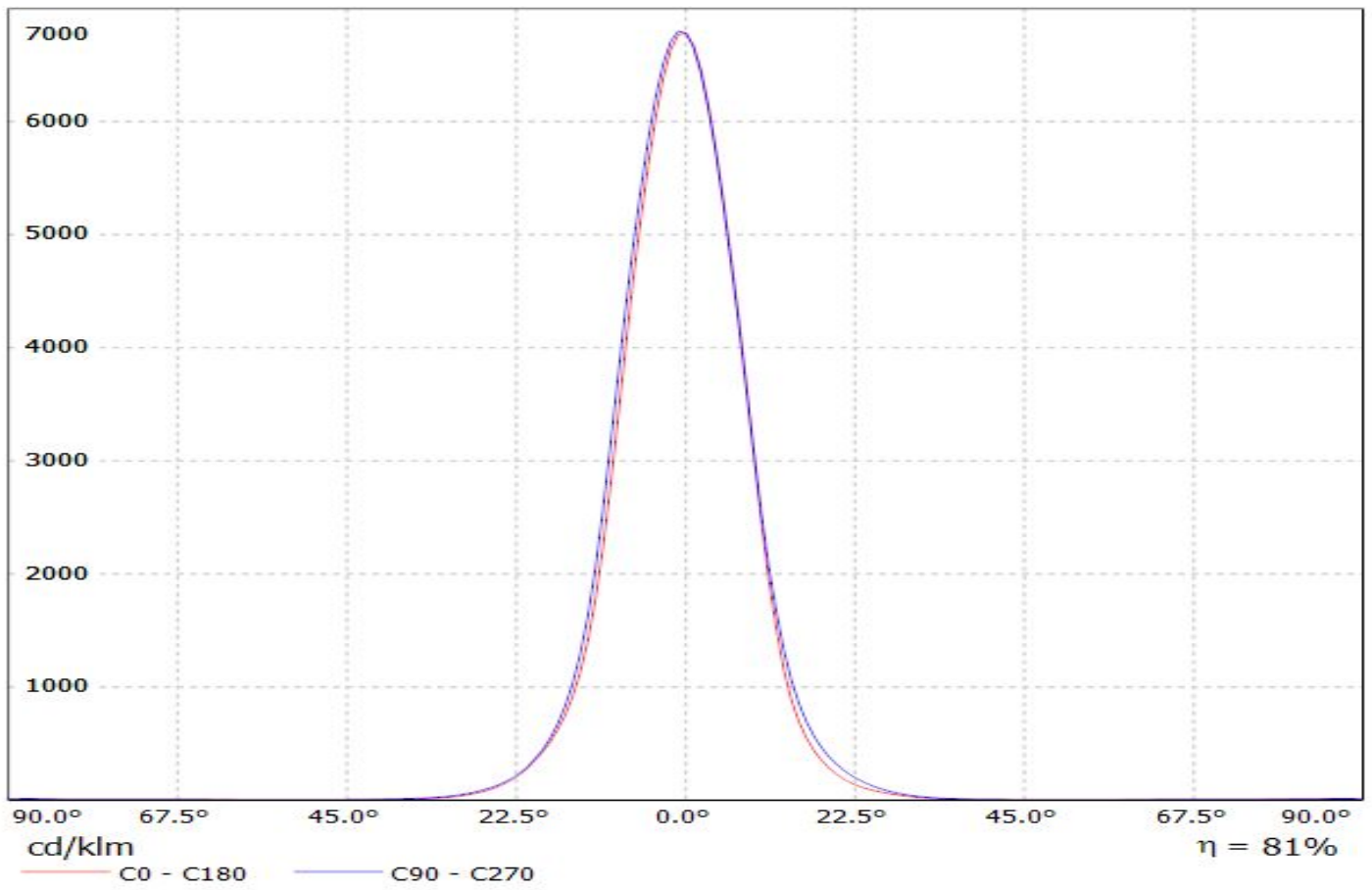


Luminaire: Ledil FC14972_FLORENTINA-2X2-D_(Luxeon_MZ)

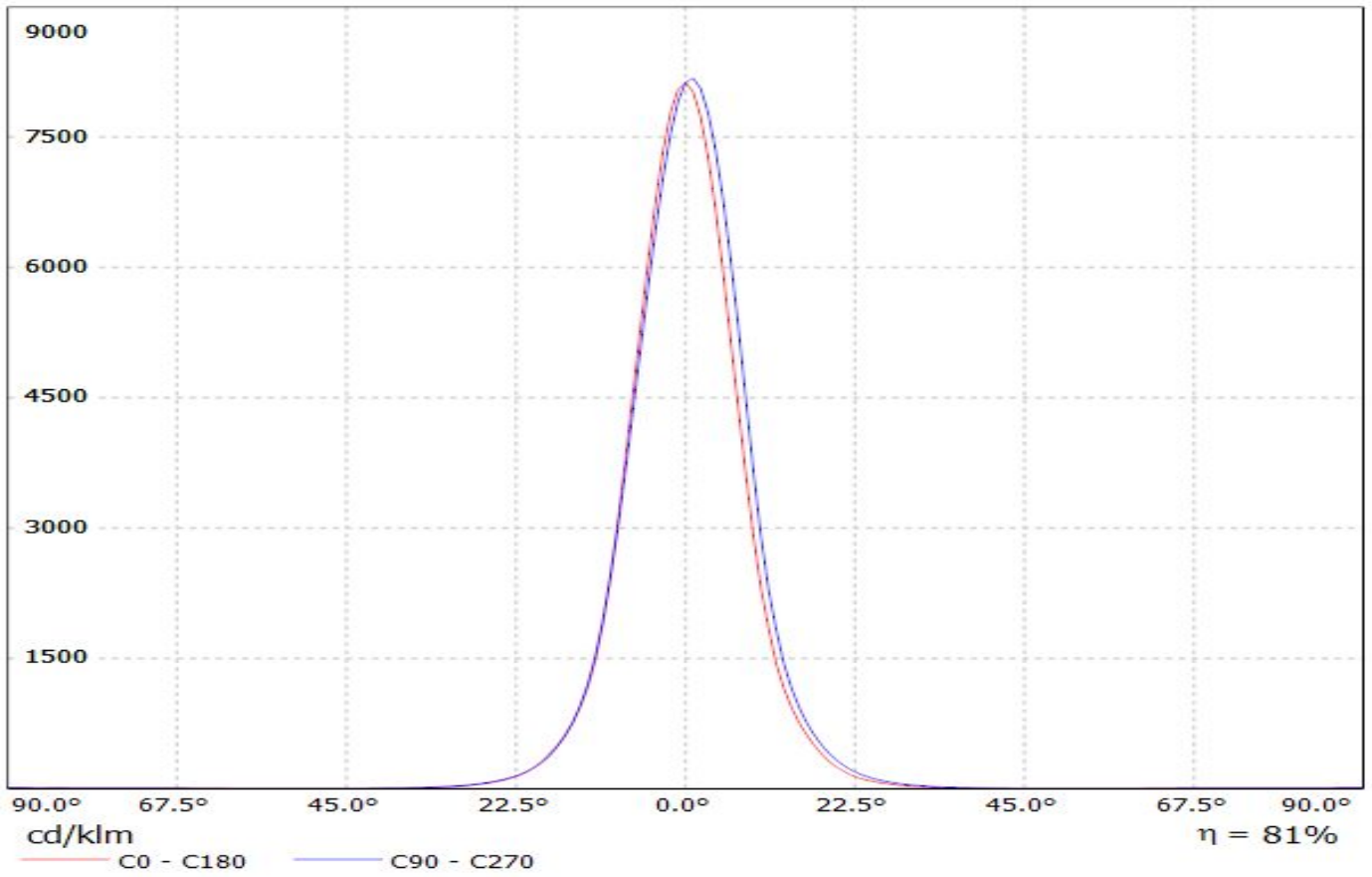
Lamps: 1 x Luxeon_MZ_2x2_(LM29-SW30)_1110.46lm@250mA_P=11.0448W_I=0.25A



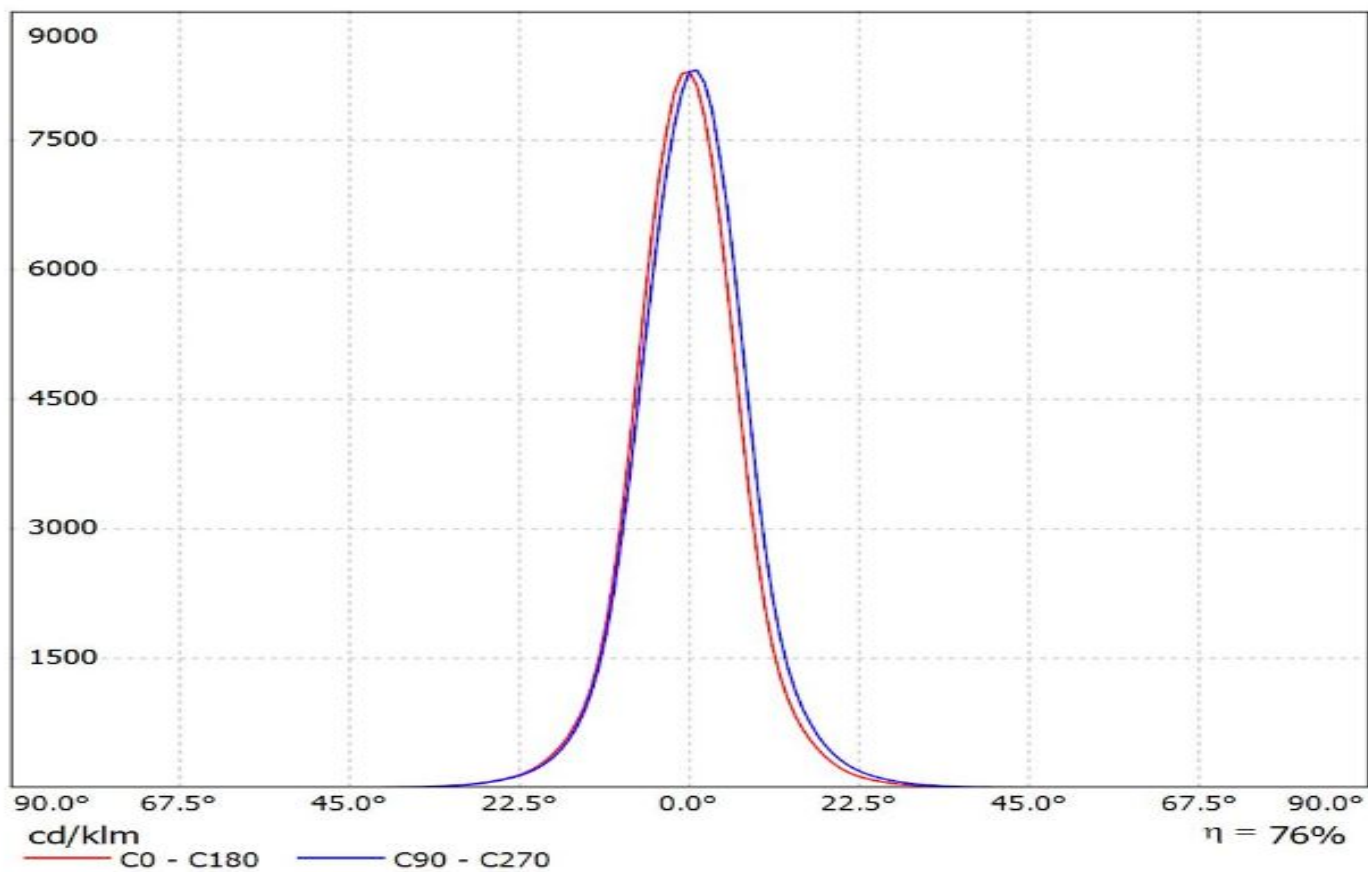
Luminaire: LEDiL Oy FC14972_FLORENTINA-2X2-D_(NVSxx19c)
Lamps: 1 x NVSxx19c_412.136lm@250mA_P=2.81612W_I=0.250A



Luminaire: LEDiL Oy FC14972_FLORENTINA-2X2-D (Oslon_Square)
Lamps: 1 x Oslon_Square_328.682lm@250mA_P=2.79276W_I=0.250A



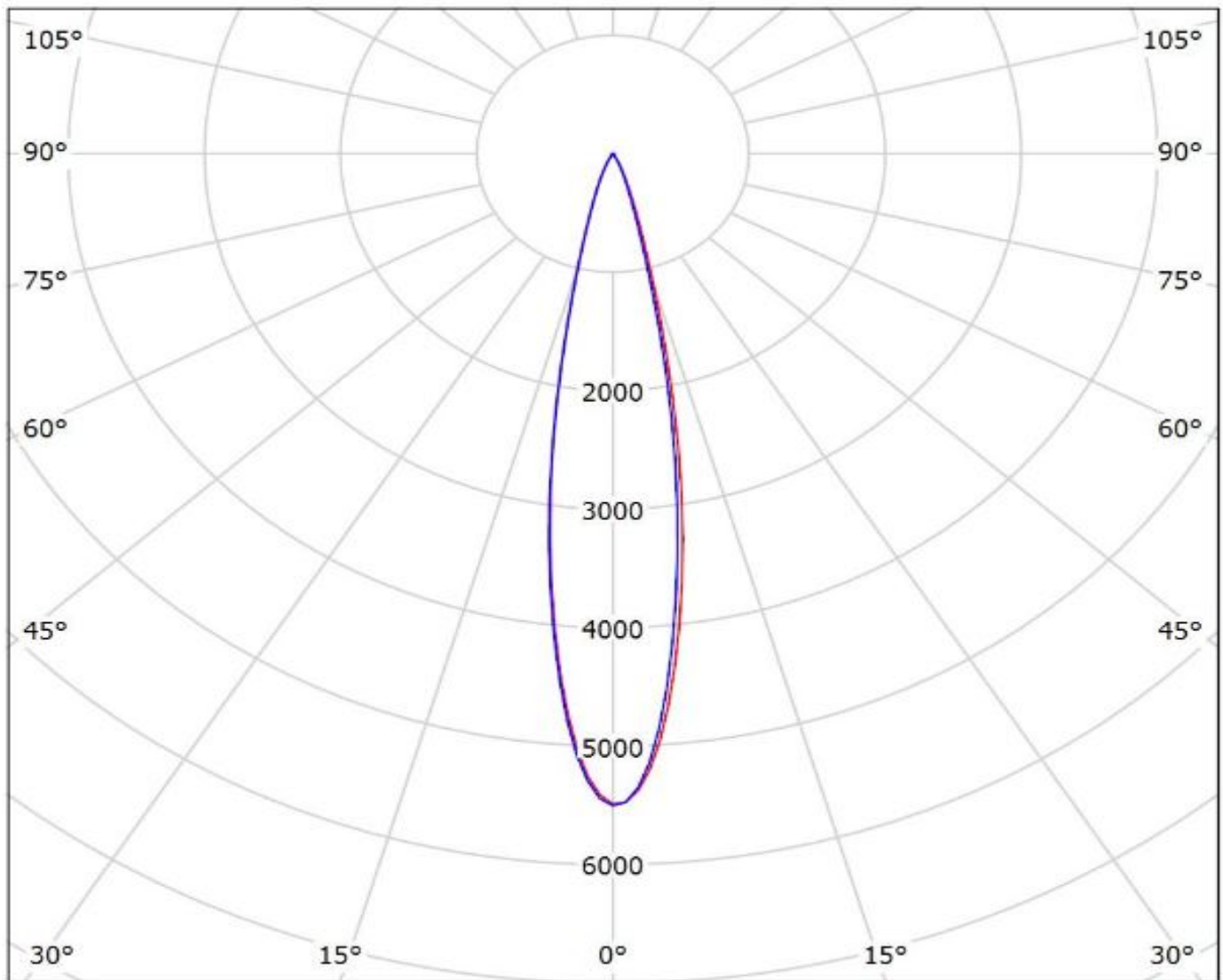
Luminaire: Ledil FC14972_FLORENTINA-2X2-D_(SQ_Gen3)
Lamps: 1 x Oslon_square_GEN3_(GW_CSSRM2.PM-MUNQ-A737-1)
_453.421lm@250mA_P=2.7755W_I=0.25A



Ledil FC14972_FLORENTINA-2X2-D_(XP-L) / LDC (Polar)

Luminaire: Ledil FC14972_FLORENTINA-2X2-D_(XP-L)

Lamps: 1 x CREE_XP-L_2x2MX_(XPLAWT-0-1B0-V40-00-0001)_515.493lm@250mA_P=2.8W_I=0.25A



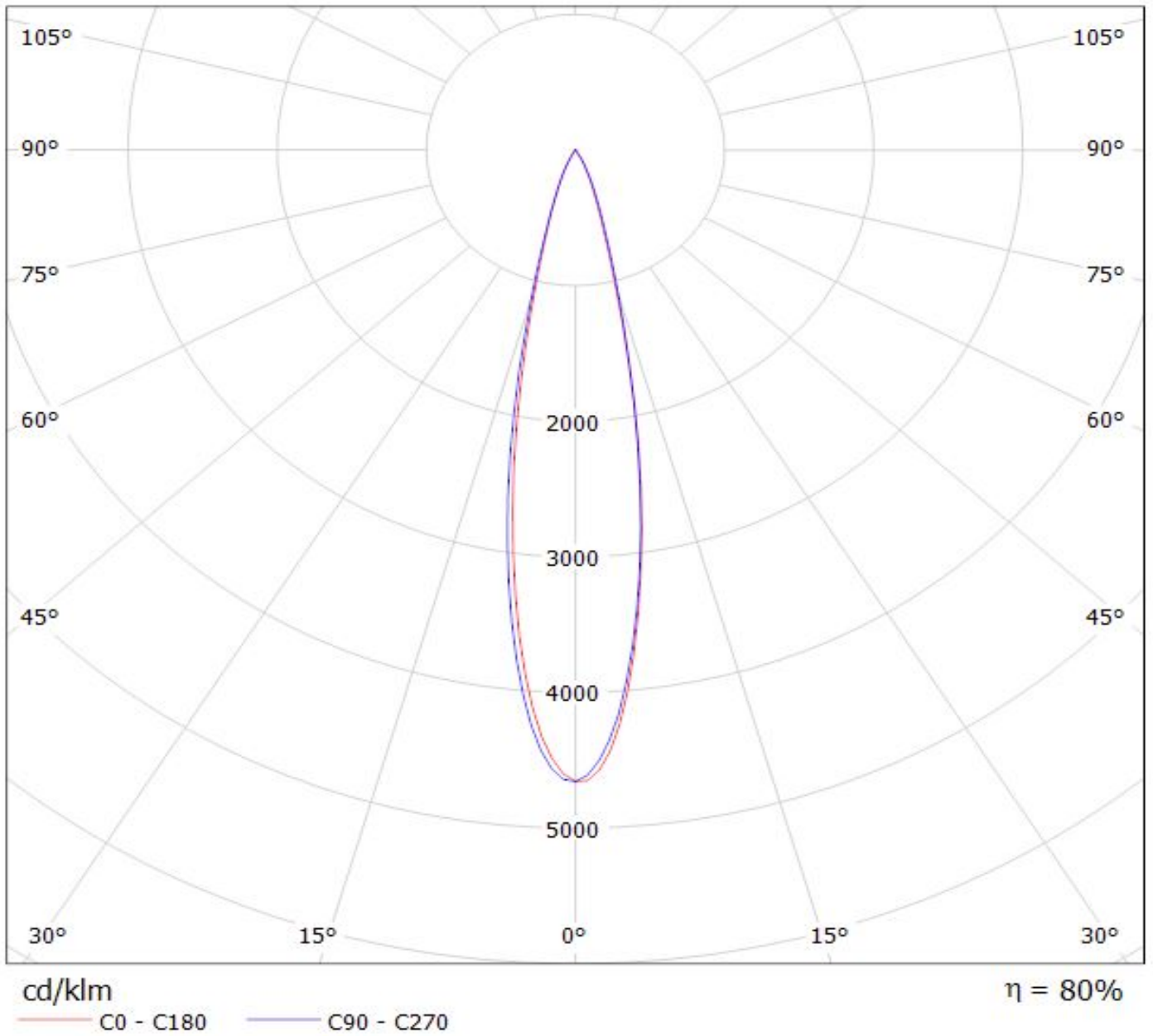
cd/klm

— C0 - C180 — C90 - C270

$\eta = 77\%$

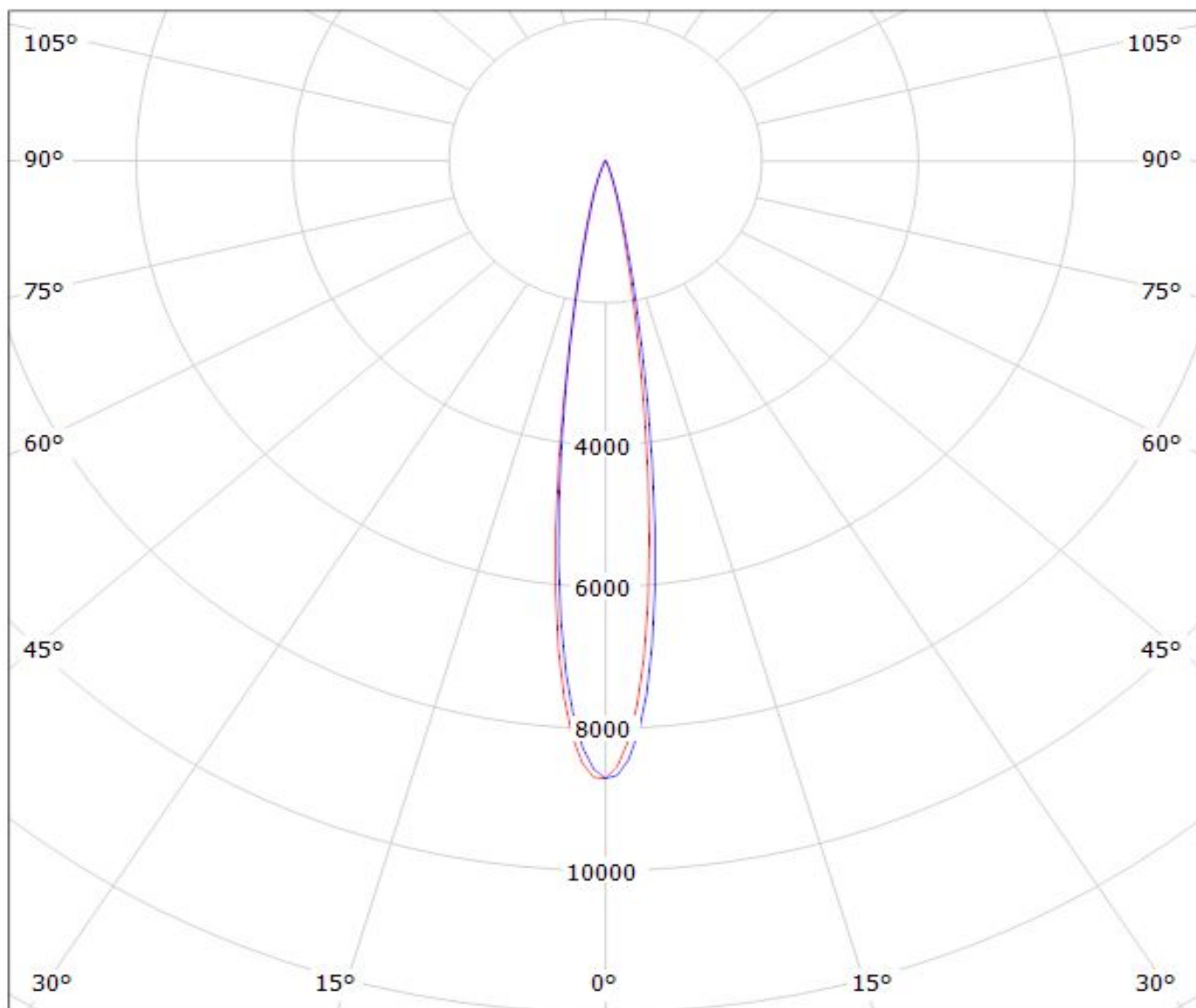
Luminaire: LEDiL Oy FC14972_FLORENTINA-2X2-D_(XHP35-HD)

Lamps: 1 x XHP35-HD_(XHP35A-0-2D0-D40-D0-B-01)_1705.7lm@250mA_P=11.219W_I=0.250A



Luminaire: LEDiL Oy FC14972_FLORENTINA-2X2-D_(Luxeon_TX)

Lamps: 1 x Luxeon_TX_(L1T2-30800000000000)_344.318lm@250mA_P=2.85411W_I=0.250A



cd/klm

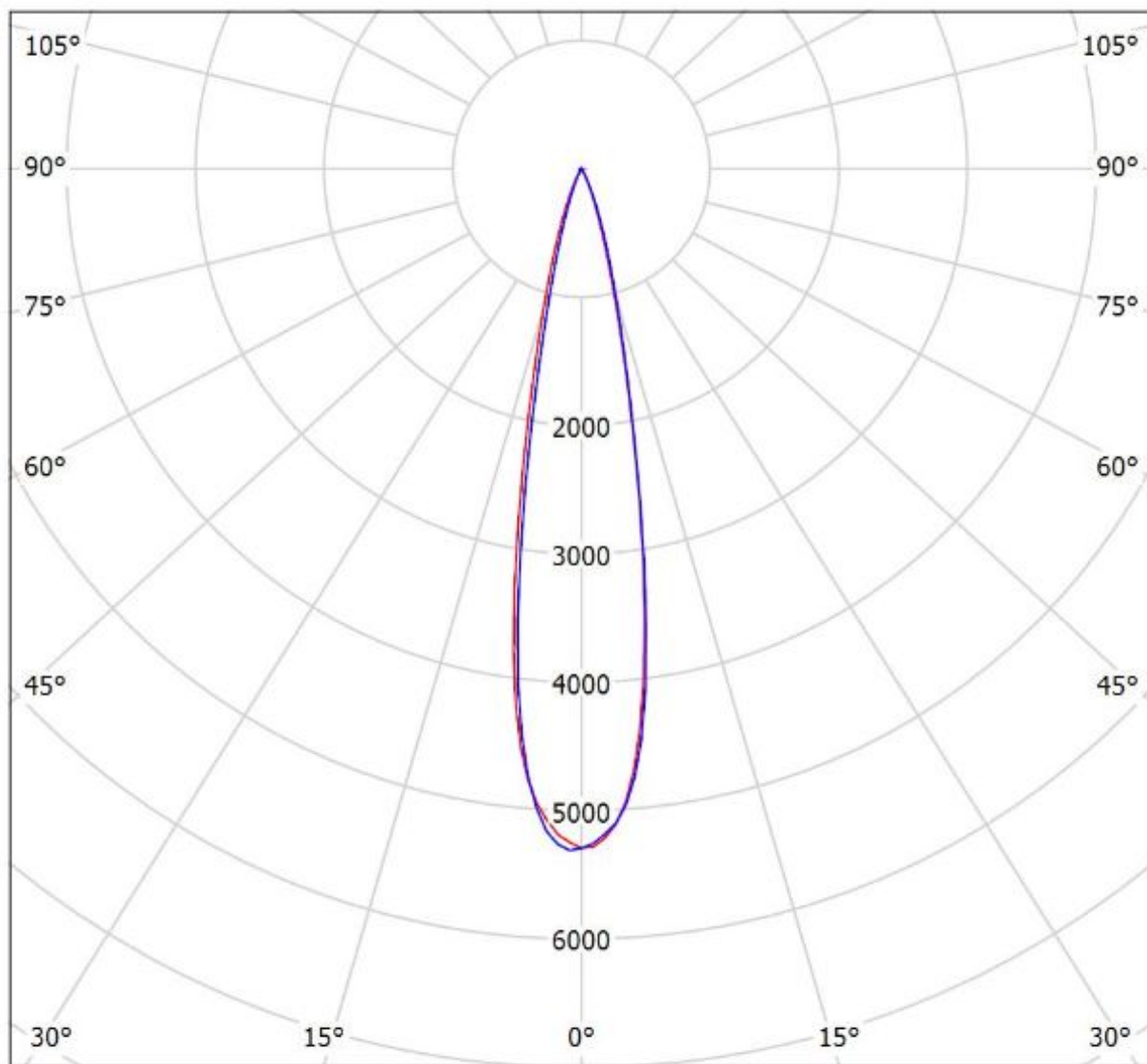
— C0 - C180

— C90 - C270

$\eta = 82\%$

Luminaire: Ledil FC14972_FLORENTINA-2X2-D_(Luxeon_MZ)

Lamps: 1 x Luxeon_MZ_2x2_(LM29-SW30)_1110.46lm@250mA_P=11.0448W_I=0.25A

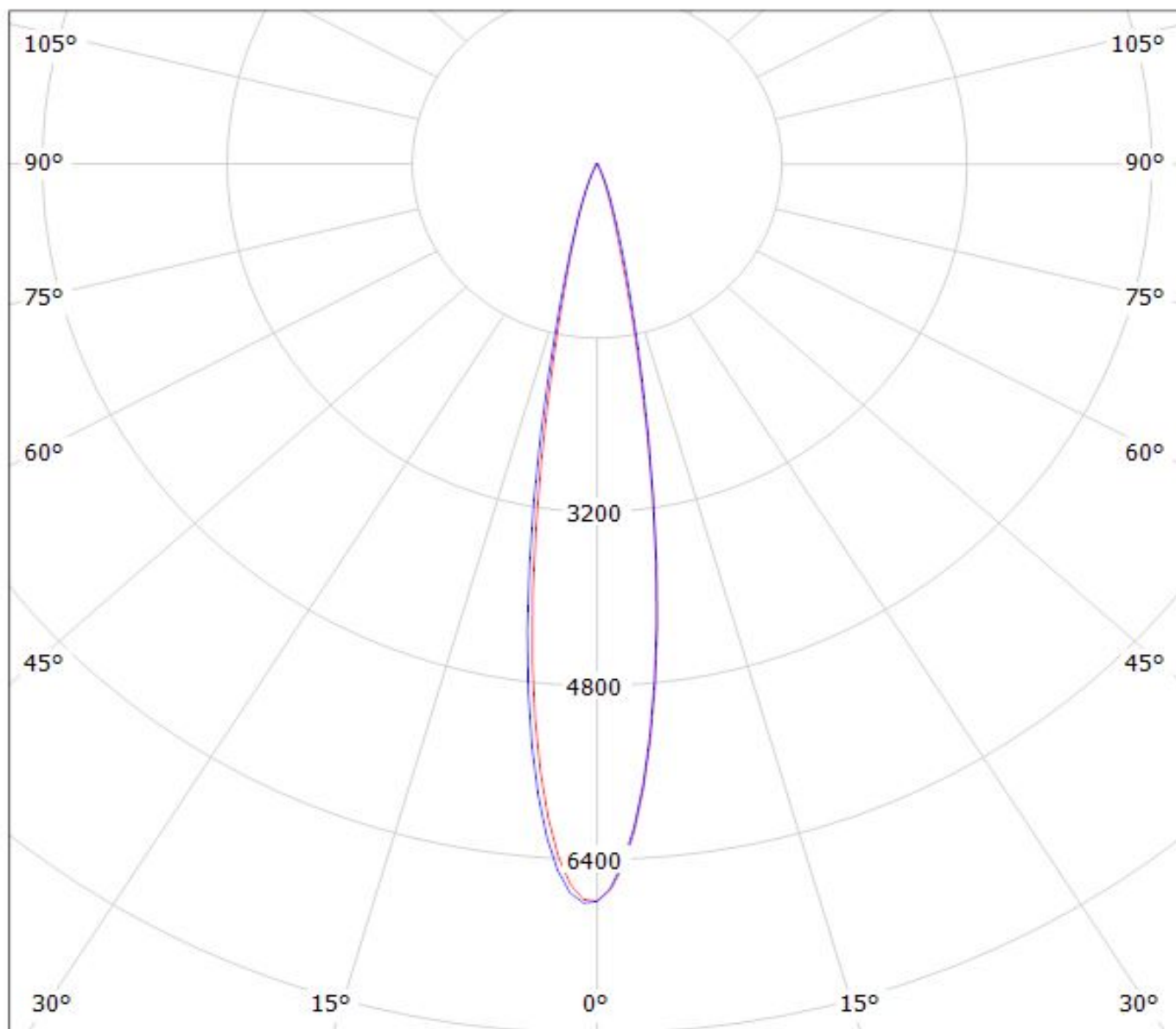


cd/klm

— C0 - C180 — C90 - C270

$\eta = 78\%$

Luminaire: LEDiL Oy FC14972_FLORENTINA-2X2-D_(NVSxx19c)
Lamps: 1 x NVSxx19c_412.136lm@250mA_P=2.81612W_l=0.250A

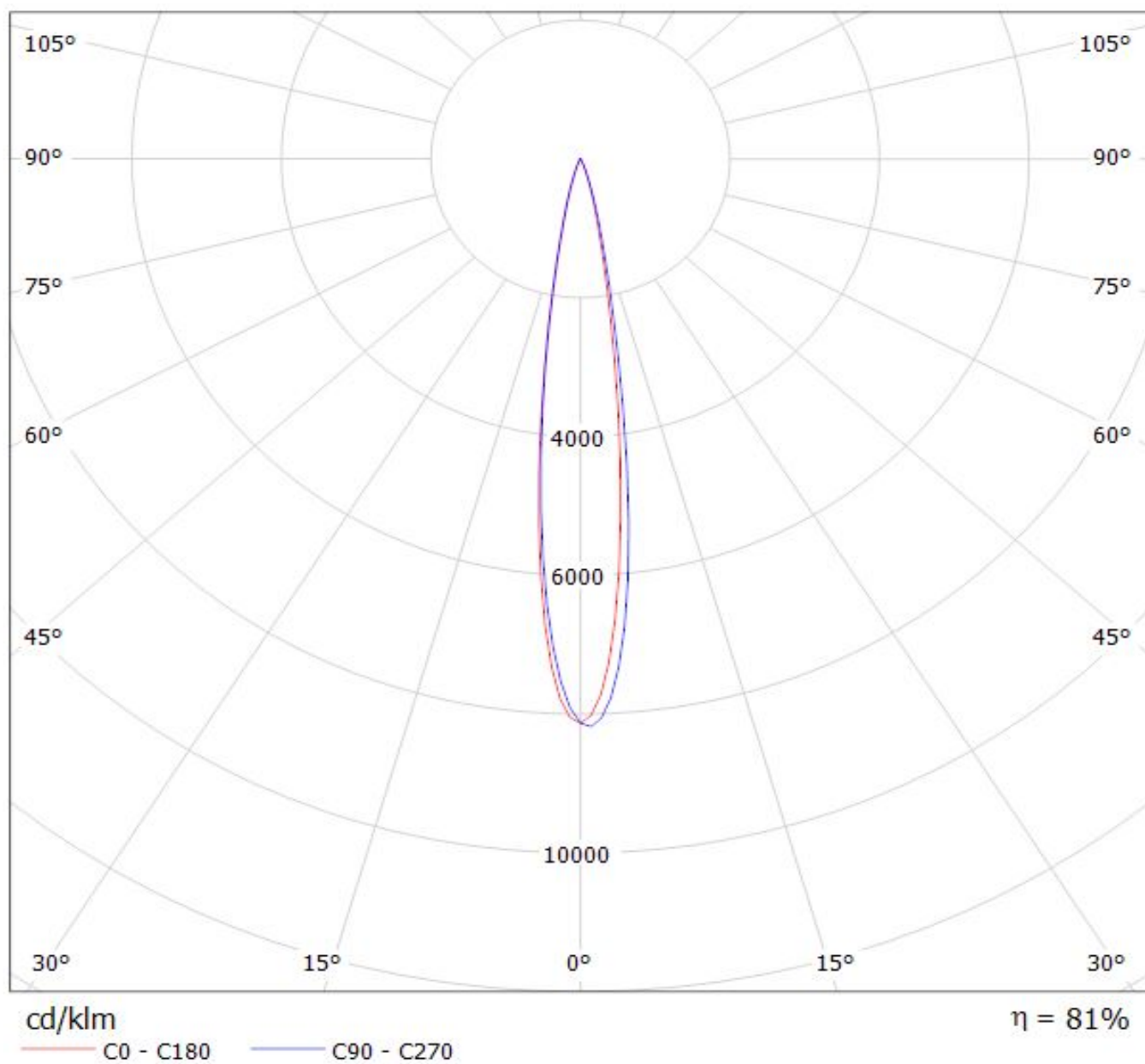


cd/klm

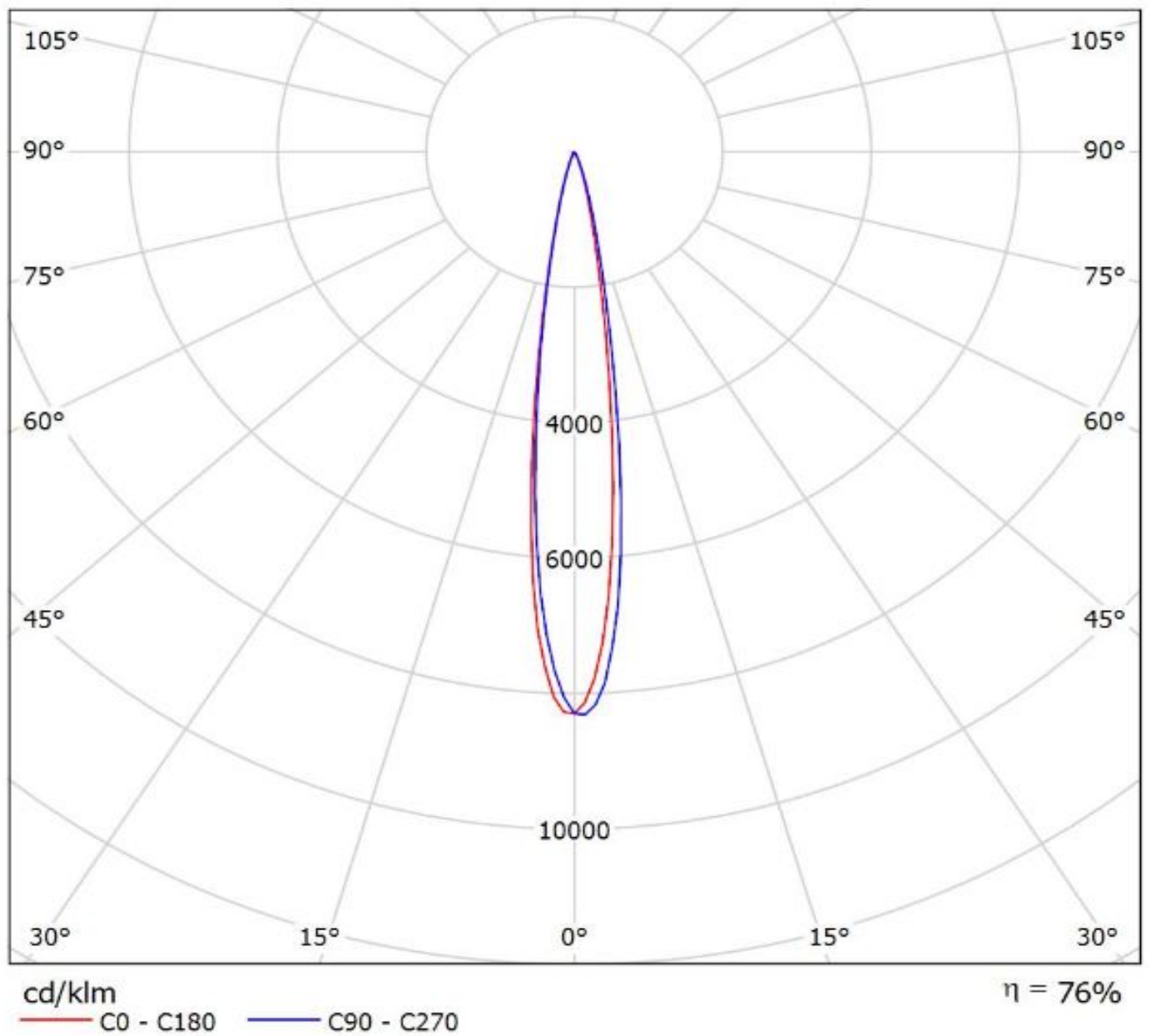
— C0 - C180 — C90 - C270

$\eta = 81\%$

Luminaire: LEDiL Oy FC14972_FLORENTINA-2X2-D_(Oslon_Square)
Lamps: 1 x Oslon_Square_328.682lm@250mA_P=2.79276W_I=0.250A



Luminaire: Ledil FC14972_FLORENTINA-2X2-D_(SQ_Gen3)
Lamps: 1 x Oslon_square_GEN3_(GW_CSSRM2.PM-MUNQ-A737-1)
_453.421lm@250mA_P=2.7755W_I=0.25A



NOTE: The typical divergence will be changed by different color, chip size and chip position tolerance. The typical total divergence is the full angle measured where the luminous intensity is half of the peak value.