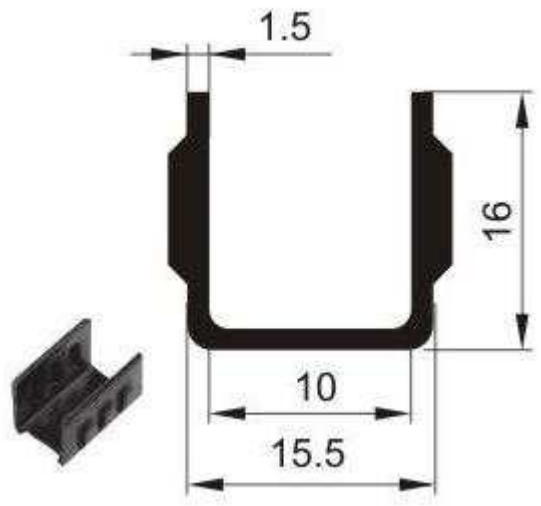


1 2 3 4

A

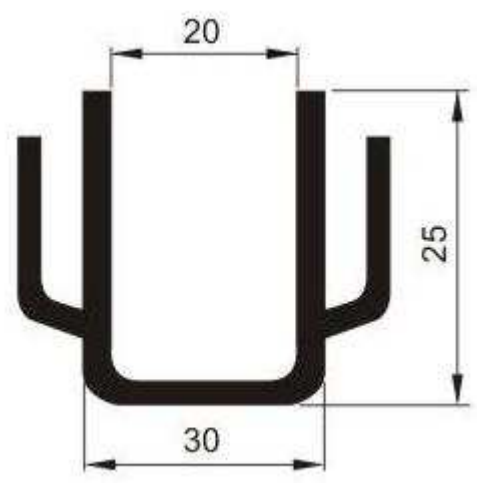
Comet Electronics Part. № HSINK TR-5, Length - 23mm;



B

C

Comet Electronics Part. № HSINK TR-10, Length - 30mm;



D

E

	Drawn				
Comet Electronics	Checked	Part. No	UNIT: mm		
	Approved		2011.05.17		

F