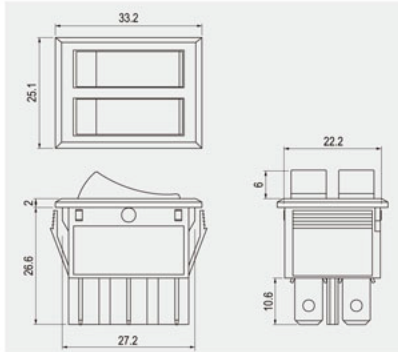


# R13-90P



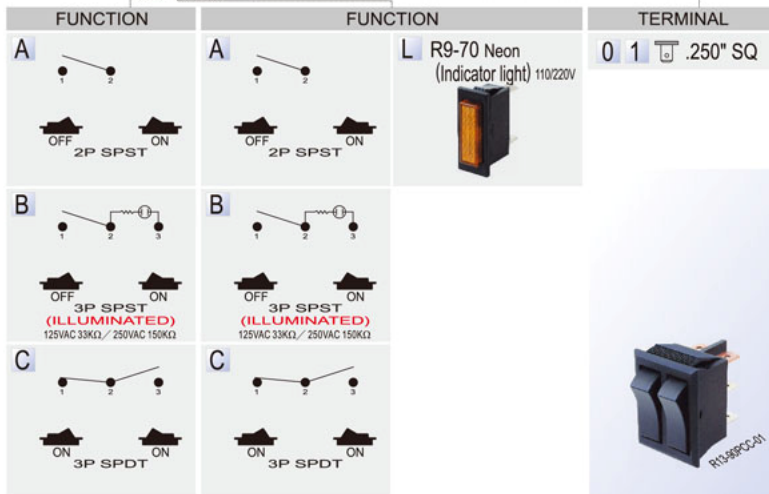
<b>Rating</b>	16A 125V AC 1/8HP 10A 250V AC 1/3HP
<b>Contact resistance</b>	50mΩ Max
<b>Insulation resistance</b>	DC 500V 100MΩ Min
<b>Dielectric strength</b>	AC 1500V 1 minute
<b>Cut-out</b>	X Y

## FEATURES

- \* MATERIAL: Frame is nylon (UL flame: 94V-2). Terminals are silver plated brass.
- \* Illuminated actuators are molded in PC, available with red, amber, green, blue and white colors.
- \* Snap-in mounting, easy to install switch into panel.

22.2±0.25	X	Y
0.75-1.25	30.2±0.1	22.2±0.1
1.25-2	30.4±0.1	22.2±0.1
2-3	30.8±0.1	22.2±0.1

## R13-90P



Function 1: For 1,2,3 terminal.  
Function 2: For 4,5,6 terminal.

