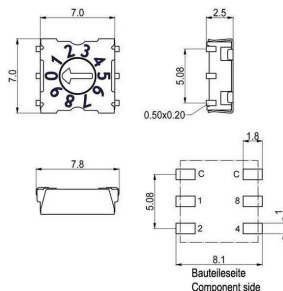
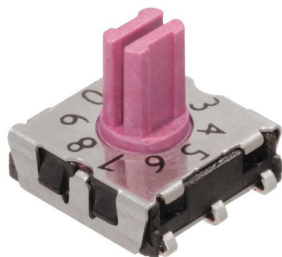




## Rotary Code Switch

### P25SMJ 1 03 - TR



- 2.5mm height
- 7.0mm length
- lateral C-contact
- contacts with abrasion resistant hard gold plating
- solid, tinned PCB pins

Solid PCB pins ensure trouble-free assembly and safe connection. Contacts with abrasion resistant hard gold plating have low and stable contact resistance. ISO 9001:2008 approved production together with 100% electronic final inspection and testing guarantee reliable operation. Figures are clearly visible and detention mechanism is precise for fast and easy operation.

#### Electrical Data

Operating voltage	≤ 42 V
Contact load, static	≤ 0.4 A
Contact load, dynamic	≤ 0.1 A
Minimum load	1µA 20mVDC
Test voltage	250V 50Hz/1min
Contact resistance	< 80 mΩ
Insulation resistance	> 100 MΩ


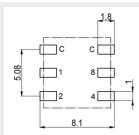
#### Mechanical Data

Type	horizontal
Fixation mode	SMJ
Height	2.5 mm
Length	7.0 mm
Width	7.0 mm
Pin connection	3+3
Perm. ambient temperature	-50 ... +125 °C
Perm. storage temperature	-55 ... +135 °C
Torque	min. 0.7 Ncm
Positions per rotation	10, 16
Shock and vibration testing	acc. DIN IEC 60068
Humidity	21 days at 40°C, 93%RH

#### Other Data

Reflow soldering	10s/260 °C
Iron soldering	2s/340 °C

#### Configuration

Actuators	 Arrow-shaped slot
Codes	Hexadecimal , 16 Positions, Rotor grey
Contact Pins	 SMJ
Packing	Tape & Reel Packing