

B12R58 / B12E27

High Power Constant Current LED Driver

Total Power	16 Watts max.
Input Voltages	110VAC or 220VAC
Number of Outputs	One

SPECIAL FEATURES

- Compact size maximizes design flexibility.
- 2.28 (Φ) x 1.26 (H)
- Fully potted, suitable for dry location applications
- High efficiency reduce total power consumption
- UL1310 Class 2 and CE compliant
- Wide selection of pre-adjusted C/C outputs

ENVIRONMENTAL

Operating temperature:	-30 to +60 °C
Storage temperature:	-40 to +85 °C
Humidity (Non-Condensing):	5% to 95%
Cooling:	Convection
Vibration Frequency:	5 to 50 Hz
MTBF:	>100,000 Hours at full load and 25°C ambient conditions (MIL-217F)

SPECIFICATIONS :

Input Range : 110VAC or 220VAC / 0.3~0.15A /47~63Hz	Power Factor: > 0.92 at full load, 115VAC
DC Output Range : Refer to Model selection table	Operation Temp. : -40°C ~ +50°C , Tc : 70 °C
Efficiency : 82% Typical	Storage Temp. : -40°C ~ +85°C
Output Current Regulation : ±5%	MTBF(@25°C) : >100,000 Hours, MIL-217F
Protection : OCP, SCP, OVP – Auto Recovery	Regulation Compliance: UL1310, EN61347, EN55015, EN61547
Active Dimming CTL – Pre-programmed 4 steps dimming	Dimension: 2.28 (Φ) x 1.26 (H)

Model Listing :

Model	DC Output (Vf) Forward Voltage	DC Output (Max.) Constant Current	Watts Max.	Model	DC Output (Vf) Forward Voltage	DC Output (Max.) Constant Current	Watts Max.
B12E27-112-C1300	8 ~ 12V	1300mA	15.6W	B12R58-112-C1300	8 ~ 12V	1300mA	15.6W
B12E27-212-C1300	8 ~ 12V	1300mA	15.6W	B12R58-212-C1300	8 ~ 12V	1300mA	15.6W
B12E27-124-C0700	13 ~ 24V	700mA	16.8W	B12R58-124-C0700	13 ~ 24V	700mA	16.8W
B12E27-224-C0700	13 ~ 24V	700mA	16.8W	B12R58-224-C0700	13 ~ 24V	700mA	16.8W

Model Information :

B12EEE- YXX- Cnnnn - DDDD

B12 = B12 series , EEE = E27 and R58 Type

Y = 1 (110Vac), 2 (220Vac)

XX = 12 , 24 (Forward Voltage)

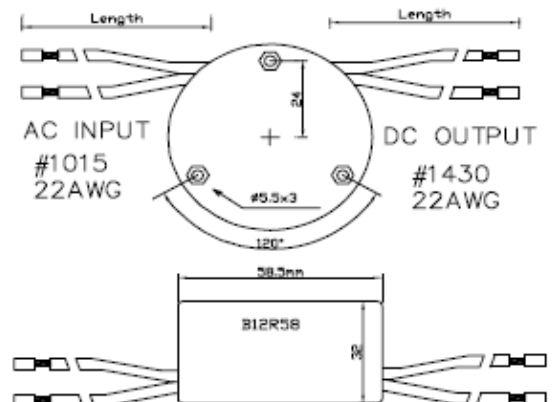
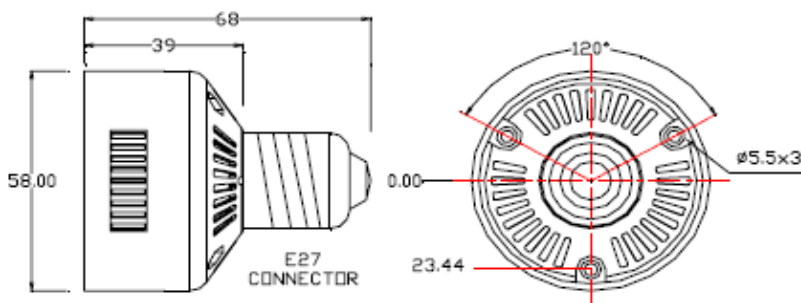
Cnnnn = Constant Current Limit.

DDDD =(Optional or blank)For dimming function .

1631 = T1:100%,T2:65%,T3:35%,T4: 10% Lighting
(on/off timing 1.5 Sec.).

1752 = T1:100%,T2:75%,T3:50%,T4: 25% Lighting
(on/off timing 1.5 Sec.).

Mechanical Drawing :



Product Specifications

ANZ#: Z148, March 31, 2009



Picture shown above is not to scale