

40x40x15 mm

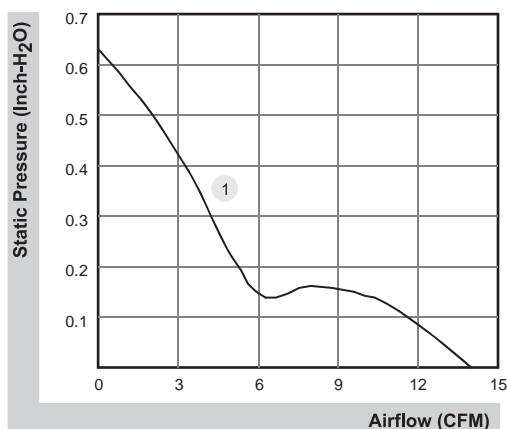
14.0 CFM



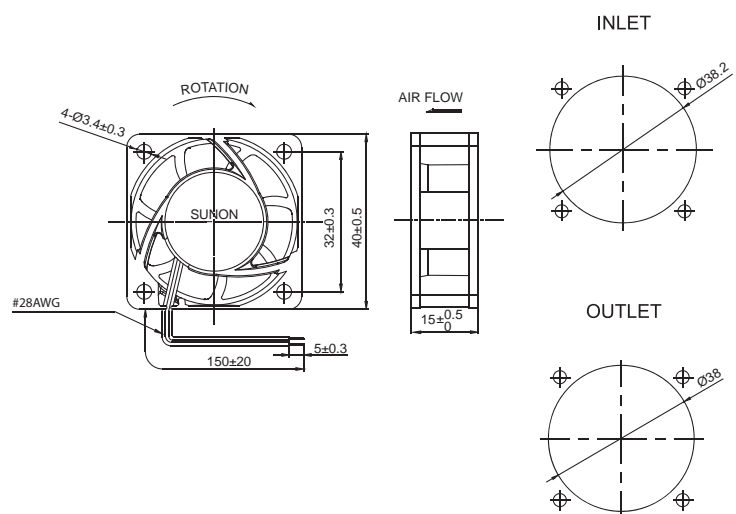
■ Specifications

Model	Bearing	Rating Voltage	Power Current	Power Consumption	Speed	Air Flow	Static Pressure	Noise	Weight	Curve
	2BALL Sleeve	(VDC)	(mA)	(WATTS)	(RPM)	(CFM)	(Inch-H ₂ O)	(dB(A))	(g)	
PSD1204PHB1-A (2).Z.GN	☉	12	240	2.9	12000	14.0	0.63	44.2	25.85	1
PSD1204PHB1-A (2).Z.F.PWM.GN	☉	12	240	2.9	12000	14.0	0.63	44.2	25.85	1
PSD1204PHB1-A (2).Z.R.PWM.GN	☉	12	240	2.9	12000	14.0	0.63	44.2	25.85	1

■ Air Flow-Static Pressure Characteristics



■ External dimensions(mm)



*All model could be customized. Please contact with Sunon Sales.

*Specifications are subject to change without notice. Please Visit SUNON website at <http://www.sunon.com> for update information.

*The product doesn't consider to " as Standard ".