

**JLI-65630KA 30~60VDC 630mA Constant Current**


Size: 222\*29\*21mm

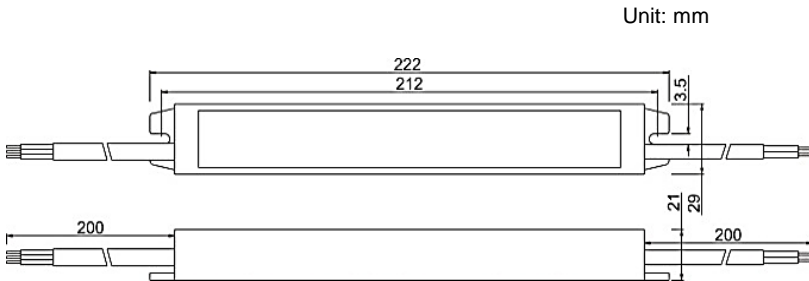
**Features:**

1. Compact size, aluminium housing
2. High efficiency professional IC for LED
3. Wide input range 170V~250VAC or 240~350VDC
4. Stable constant voltage output
5. Waterproof IP67
6. 100% burn-in tested
7. Super cooling design, long life span
8. Overload/short circuit protection
9. Proven reliable quality

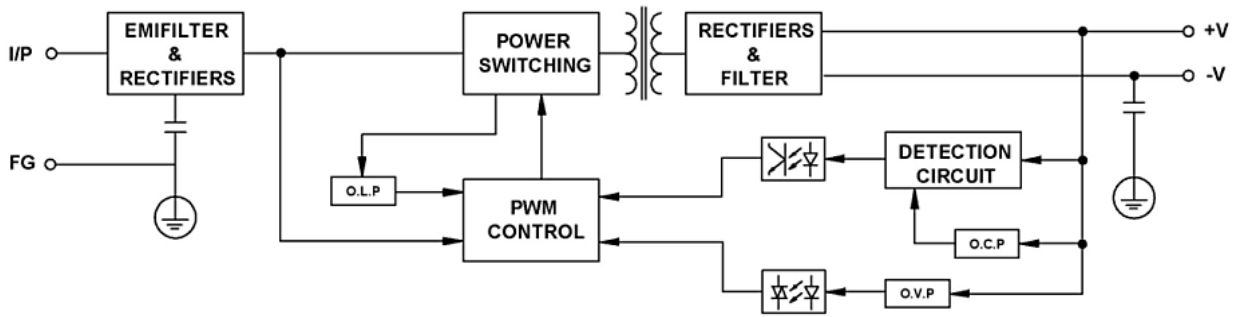
Model		JLI-65630KA
OUTPUT	RATED CURRENT	630mA
	DC VOLTAGE RANGE	30~65V
	RATED POWER	41W
	RIPPLE & NOISE (NOTE.2)	<500mV
	AMPERE TOLERANCE	±10%
	LINE REGULATION	±1%
	LOAD REGULATION	±1%
INPUT	INPUT VOLTAGE RANGE	170V~250VAC or 240~350VDC
	INRUSH CURRENT	40A
	INPUT FREQUENCY RANGE	47 ~ 63HZ
	EFFICIENCY (TYP)	>88%
	AC CURRENT	Max. 0.35A@230V
	LEAKAGE CURRENT	3mA
PROTECTION	OVER VOLTAGE	≥68VDC
	OVER CURRENT PROTECTION TYPE	Hiccup mode, recovers automatically after fault condition is removed
	SHORT CIRCUIT PROTECTION TYPE	Hiccup mode, recovers automatically after fault condition is removed.
	OVER TEMPERATURE	TC> 85°C
	PROTECTION TYPE	Protection type : Shut down o/p ampere, recovers automatically after temperature goes down
ENVIRONMENT	WORKING TEMPERATURE	-30°C ~ 50°C
	WORKING HUMIDITY	10 ~ 99%RH
	STORAGE TEMP., HUMIDITY	-30°C~70°C
	TEMP. COEFFICIENT	±0.03%/°C (0~50°)
	VIBRATION	10 ~ 500Hz, 2G 12min./1cycle, period for 72min. each along X, Y, Z axes
SAFETY & EMC	SAFETY STANDARDS	EN61347-1:2000/EN61347-2:2006
	WITHSTAND VOLTAGE	I/P-O/P:3.75KVAC I/P-FG:1.88KVAC O/P-FG:0.5KVAC
	ISOLATION RESISTANCE	I/P-O/P:100M Ohms/500VDC/25°C/70%RH
	EMI CONDUCTION & RADIATION	EN55015,Class B
	HARMONIC CURRENT	Compliance to EN61000-3-2 Class C (75% load) ; EN61000-3-3
	EMS IMMUNITY	Compliance to EN61000-4-2,3,4,5,6,8,11; ENV50204, EN55024,EN61547, light industry level, criteria A
OTHERS	DIMENSION(L*W*H)	222*29*21mm
	PACKAGING	250g/pc, 50pcs/carton
Notes	1. All parameters NOT specially mentioned are measured at 230VAC input, rated load and 25 of ambient temperature. 2. Ripple & noise are measured at 20MHz of bandwidth by using a 12" twisted pair-wire terminated with a 0.1uf & 47uf parallel capacitor. 3. Tolerance : includes set up tolerance, line regulation and load regulation. 4. For LED related applications, constant current operation region is within 70% ~100% rated output voltage, but please reconfirm special electrical requirements for some specific system design.	

**Mechanical Specification**

Model: JLI-65630KA  
 Constant Current 30~65VDC 630mA 41W



**Block Diagram**



**Derating Curve (left) & Static Characteristics (right)**

