



全漢企業股份有限公司
FSP TECHNOLOGY INC.

台灣桃園市建國東路22號 統一編號：84239055
No. 22, Jianguo East Road., Taoyuan City, Taiwan, R.O.C.
TEL:+886-3-375-9888 Website : www.FSP-group.com
FAX:+886-3-375-6966 Email : sales@fsp-group.com.tw

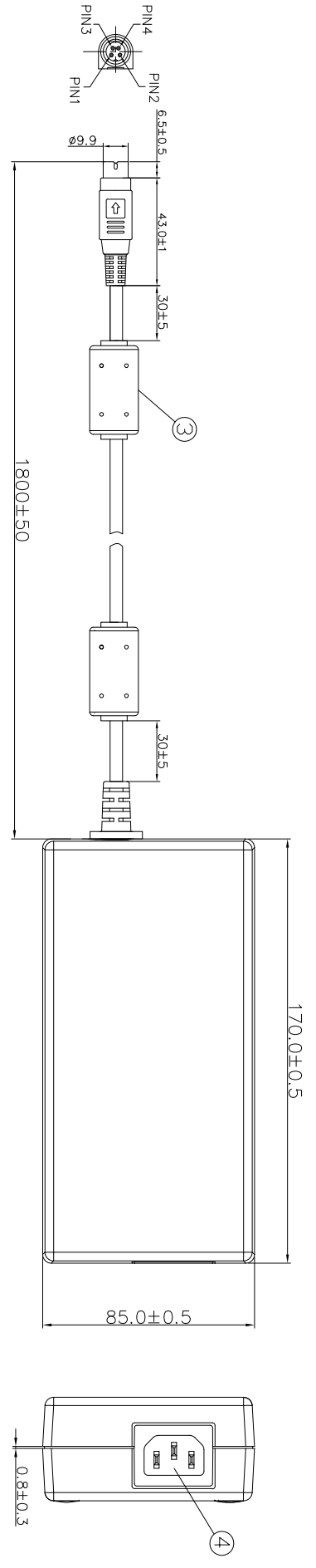
MECHANICAL DRAWING



OAD13031929

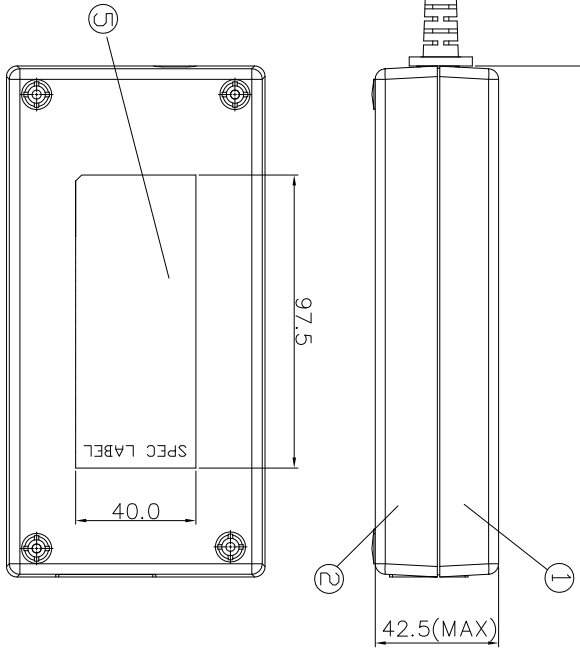
FSP180-AAAN2 / 9NA1803000

Released Date:2013/05/17-19:36:48



| DIN PLUG | POLARITY | COLOR |
|----------|----------|-------|
| P1 | V0(+) | WHITE |
| P2 | | |
| SHIELD | | |
| P3 | GND(-) | BLACK |
| P4 | | |

| ITEM | PART NAME | COLOR |
|------|------------|-------|
| 1 | COVER | BLACK |
| 2 | CHASSIS | BLACK |
| 3 | POWER CORD | BLACK |
| 4 | SOCKET | BLACK |
| 5 | LABEL | BLACK |



SCALE:
UNIT: mm

| | | | |
|-------------------------|---------------------------|---------------|-----------|
| MODEL NO.: FSP180-AAAN2 | TITLE: Physical Dimension | SHEET: 1 OF 2 | REV:01 |
| R&D3 Division | PE | DRAWN | DATE |
| L.J | MATTISSE | MATTISSE | 2013-5-13 |
| INTERIOR COUNTERSIGN: | | | |

P/N.: 9NA1800300

