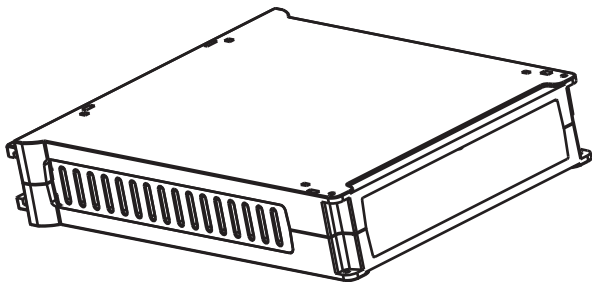


DIN BOX

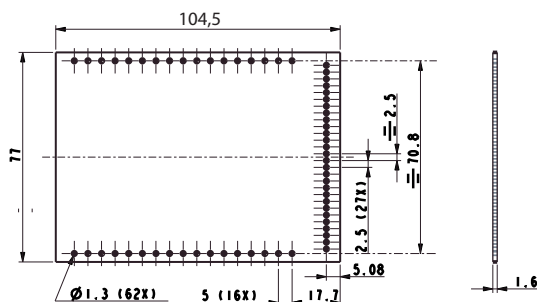
M22



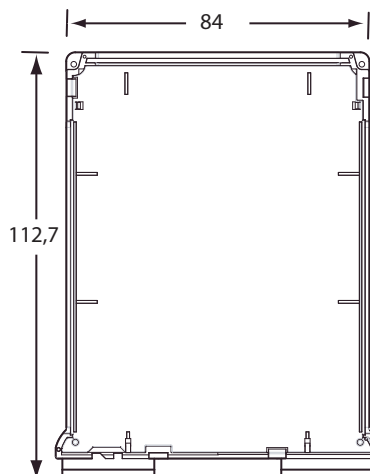
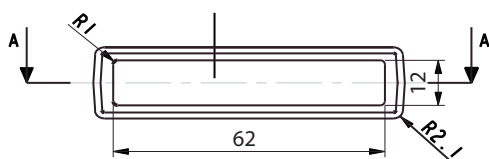
Many other connectors and terminal configurations are available upon request.

Options:

- open version for bigger terminals
- no terminal numbers.
- red, grey or infra-red lid.
- click in frontpanel.
- hinged lid.
- not all versions are available for all sizes.



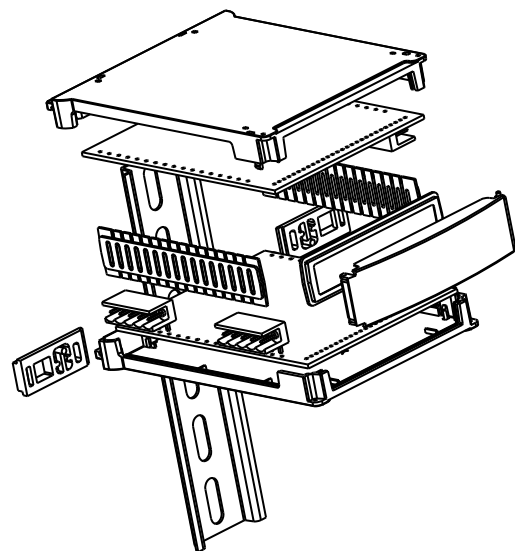
Front Panel
(label size: 61,8 x 11,8 mm)



Module enclosure for M36 DIN-rail. DIN BOX Series M22 is, if requested, available in several colours and with customer specified holes in the front.

Lid, PCB, customized label and packing is available. Possibility for both base and top PCB. A closed version without terminals is also available.

Trimmers and spindles that fit the height of the box are available.



TOP PART:

Material: Lexan 940
 Colour: Grey (RAL 7035)
 Max. temperature: 100°C
 Width: 22,5 mm
 (1½ modules)
 Label measurement: 61,8 x 11,8 mm
 Self-extinguishing: Acc. to UL94-V0
 IP Protection: IP 20

Max. wire dia.: 2 x 2.5 mm²
 Max. load: 16A (for higher load please enquire)
 Terminals: 2x16 fixed or pluggable
 Mounting: DIN-rail (EN50022)

TYPE M 22:	ORDER CODE:
Complete M 22	p/n 2277010000
DIN-rail clip for M 22	p/n 0669000604
Transparent lid for M 22	p/n 2277020002
Terminal 257/12, HO/A, PCB part	p/n 1155712580
Terminal 256/12, wire part	p/n 1155612080
Terminal 605/12, fixed terminals	p/n 3950141208
Screw/selfcutting 2 pcs.	p/n 7006102965

Many more p/n available - please enquire.