




AKZ840/..-6.35-V-GREEN



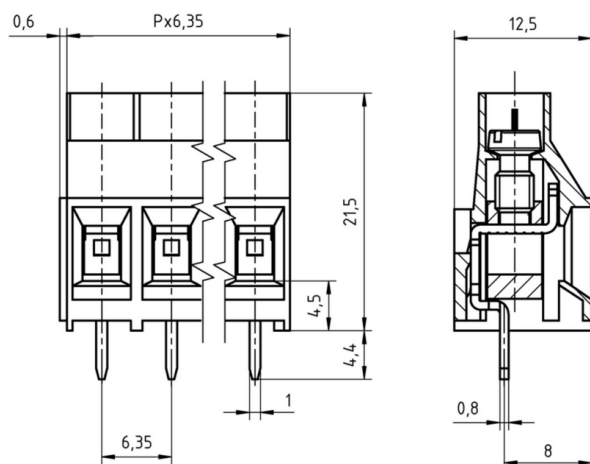
Technical Data

| Wire sizes | | Insulating Material | |
|---------------------------|----------------------|------------------------------------|-----------------|
| Solid min | 0.2 mm ² | Material | PA 6.6 |
| Solid max | 6.0 mm ² | Flammability Class | UL 94 V-0 |
| Stranded (flexible) min | 0.2mm ² | Temperatures | |
| Stranded (flexible) max | 4.0 mm ² | Operating Temperature | -30 °C - 105 °C |
| Stranded with Ferrule min | 0.25 mm ² | Store Temperature | -40 °C - 105 °C |
| Stranded with Ferrule max | 4.0 mm ² | Wave Soldering Process | |
| Dimensions | | Soldering Temperature, recommended | 265 °C |
| Stripped Length | 7.0 mm | Peak Soldering Time, recommended | 3-4 s |
| PCB Hole Diameter | 1.6 mm | Reflow Process | |
| Materials | | Soldering Temperature, recommended | - |
| Clamp | Brass | Peak Soldering Time, recommended | - |
| Screw | Steel | | |
| Solder Tab | Brass | | |

Colours

| | |
|---|-------------------------------|
|  | GREEN, RAL 6018 |
|  | LIGHT GREY, RAL 7035 |
|  | LIGHT GREEN, similar RAL 6018 |

Colours according to RAL, there may be variations on colour due to production conditions. Special colours on request.



Order Data (Spacing 6.35 mm)

| Poles | Width (mm) | Article Designation | Article Number | PU |
|-------|------------|------------------------|----------------|----|
| 2 | 13.30 | AKZ840/2-6.35-V-GREEN | 50840020201 D | 50 |
| 3 | 19.65 | AKZ840/3-6.35-V-GREEN | 50840030201 D | 50 |
| 4 | 26.00 | AKZ840/4-6.35-V-GREEN | 50840040201 D | 50 |
| 5 | 32.35 | AKZ840/5-6.35-V-GREEN | 50840050201 D | 50 |
| 6 | 38.70 | AKZ840/6-6.35-V-GREEN | 50840060201 D | 50 |
| 7 | 45.05 | AKZ840/7-6.35-V-GREEN | 50840070201 D | 50 |
| 8 | 51.40 | AKZ840/8-6.35-V-GREEN | 50840080201 D | 50 |
| 9 | 57.75 | AKZ840/9-6.35-V-GREEN | 50840090201 D | 50 |
| 10 | 64.10 | AKZ840/10-6.35-V-GREEN | 50840100201 D | 50 |
| 11 | 70.45 | AKZ840/11-6.35-V-GREEN | 50840110201 D | 50 |
| 12 | 76.80 | AKZ840/12-6.35-V-GREEN | 50840120201 D | 50 |
| 13 | 83.15 | AKZ840/13-6.35-V-GREEN | 50840130201 D | 50 |
| 14 | 89.50 | AKZ840/14-6.35-V-GREEN | 50840140201 D | 50 |
| 15 | 95.85 | AKZ840/15-6.35-V-GREEN | 50840150201 D | 50 |
| 16 | 102.20 | AKZ840/16-6.35-V-GREEN | 50840160201 D | 50 |

Ratings

| UseGroup | C ^{RU} US | | | VDE | |
|-----------------|--------------------|---|-----------|---------------------|---------------------|
| | B | C | D | | |
| Rated Voltage | 300 V | - | 300 V | 450 V | |
| Rated Current | 30 A | - | 10 A | 32 A | |
| Rated Wire Size | | | | min | max |
| - solid | AWG 28-10 | - | AWG 28-10 | 1.5 mm ² | 4.0 mm ² |
| -stranded | AWG 28-10 | - | AWG 28-10 | 1.5 mm ² | 4.0 mm ² |
| Torque | 0.80 Nm | - | 0.80 Nm | 0.80 Nm | |
| Screw Size | M3.5 | - | M3.5 | M3.5 | |
| Test Voltage | 1.60 kV | - | 1.60 kV | 6.0 kV | |