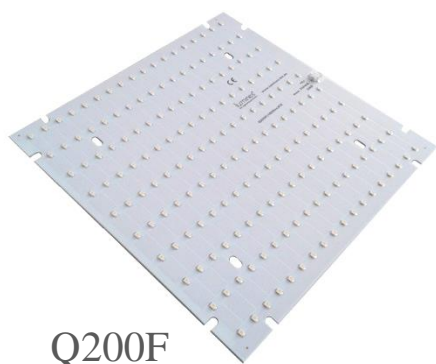


Q200F(180Sxx) and R200F(180Sxx) LED systems.



Q200F

The Q200F(180Sxx) and R200F(180Sxx) consist of white light LED modules with square outer dimensions delivering high energy efficiency and high quality of homogeneous light. These smart systems are completed with standard CC 350mA LED Drivers, which enable easy generation management and offer the flexibility to meet various application requirements.

The Q200F(180Sxx) and R200F(180Sxx) are designed to replace fluorescent lighting in recessed, surface mounted



R200F

Order code	Power (W)	Max. current (mA)	Voltage (V)	Typ. Flux (lm)	CCT (K)	CRI
Q200F(180S42)CO	10	350	24-37	1000	4000	80
Q200F(180S30)CO	10	350	24-37	900	3000	80

Order code	Power (W)	Max. current (mA)	Voltage (V)	Typ. Flux (lm)	CCT (K)	CRI
R200F(180S42)CO	10	350	24-37	1000	4000	80
R200F(180S30)CO	10	350	24-37	900	3000	80

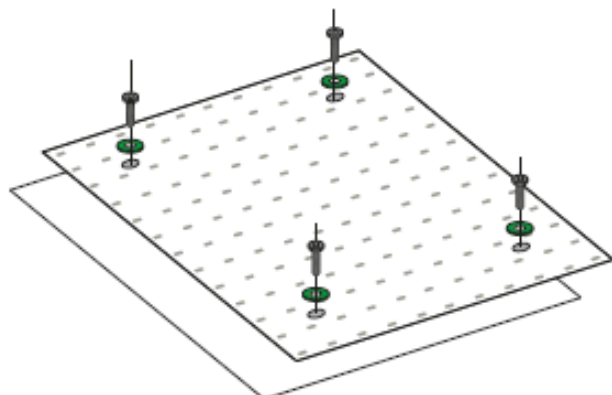
CC 350mA LED Drivers

Order code	Power (W)	Voltage (V)	Current (mA)	IP
JLI-50350P	12	27-42	350	20

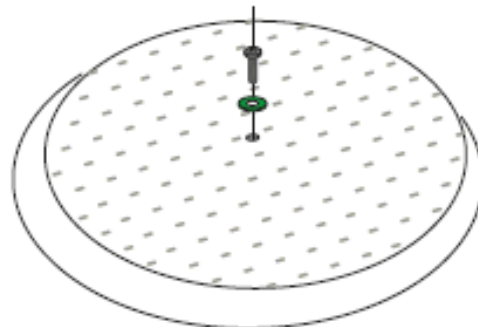


Q200F(180Sxx) and R200F(180Sxx) LED systems.

Mounting instruction

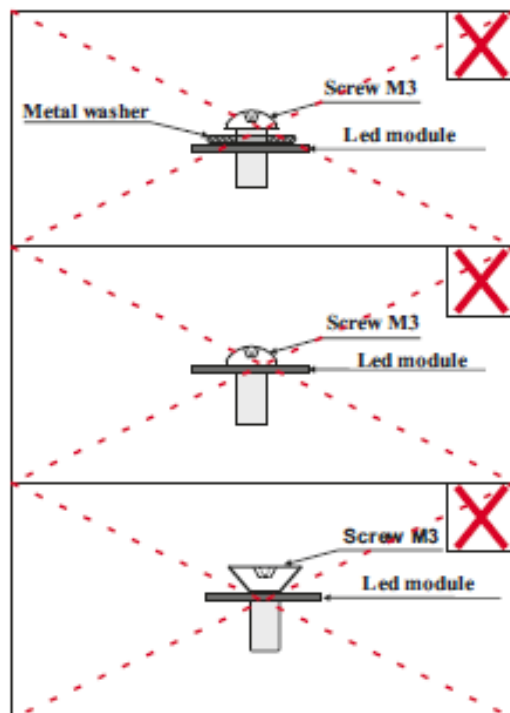
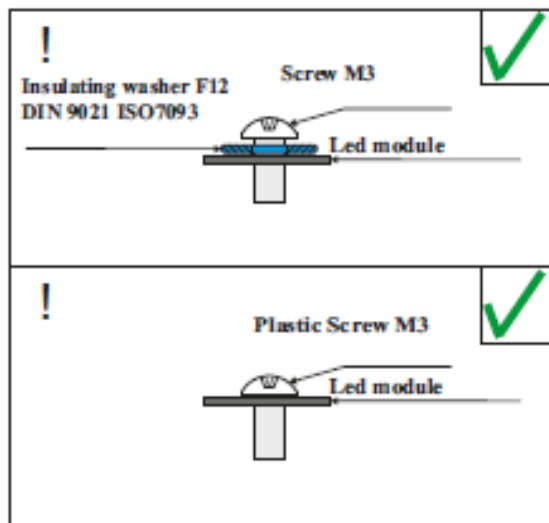


Q200F



R200F

Mounting instruction



For more information please write:

support@comet.bg