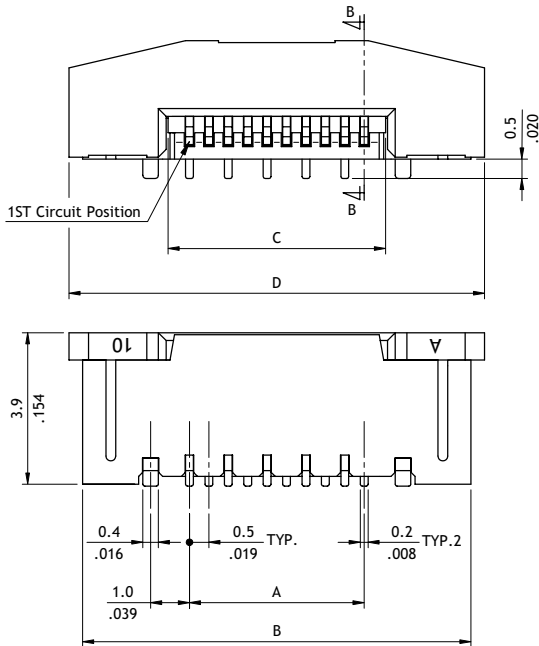
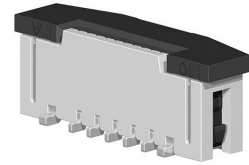
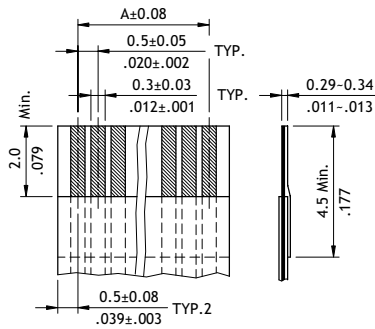
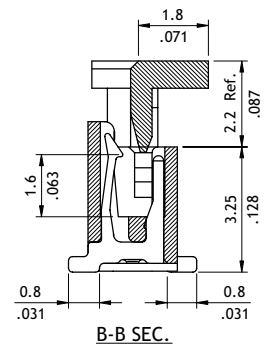
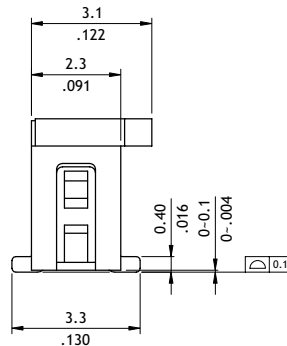


**CF20 Series 0.50mm(.020") H=3.90 SMT ZIF Vertical FFC/FPC Connectors**

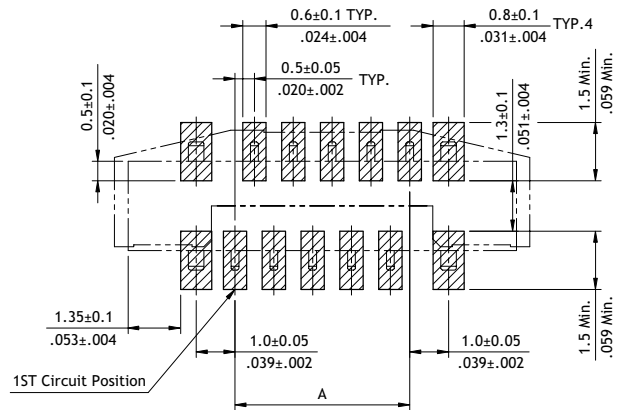
- ⊙ Insulator: High temperature plastic UL 94V-0, Color Nature
- ⊙ Slider: High temperature plastic UL 94V-0, Color Black
- ⊙ With metal fixed tabs to secure connector in place



A = 0.5 x No. of Spaces  
 B = A + 5.5  
 C = A + 1.2  
 D = A + 6.8



Accommodated FFC/FPC



**Ordering Code**

**①** CF **②** 20 **③** 55 **④** 1 **⑤** V **⑥** 0 **⑦** R 0 - **⑧** NH

- ①** Series No.
- ②** No. of Circuits: 04 to 55
- ③** Plating Code:  
1 = Matte Tin over Nickel
- ④** Contact Style:  
V = Vertical Type
- ⑤** Color: 0 = Nature
- ⑥** Packing:  
R = Tape & Reel  
T = Tube
- ⑦** Other Options:  
0 = Standard  
\* Special options consult manufacturer
- ⑧** -LF = For Lead Free soldering process  
-NH = For Lead Free soldering process and Halogen-Free