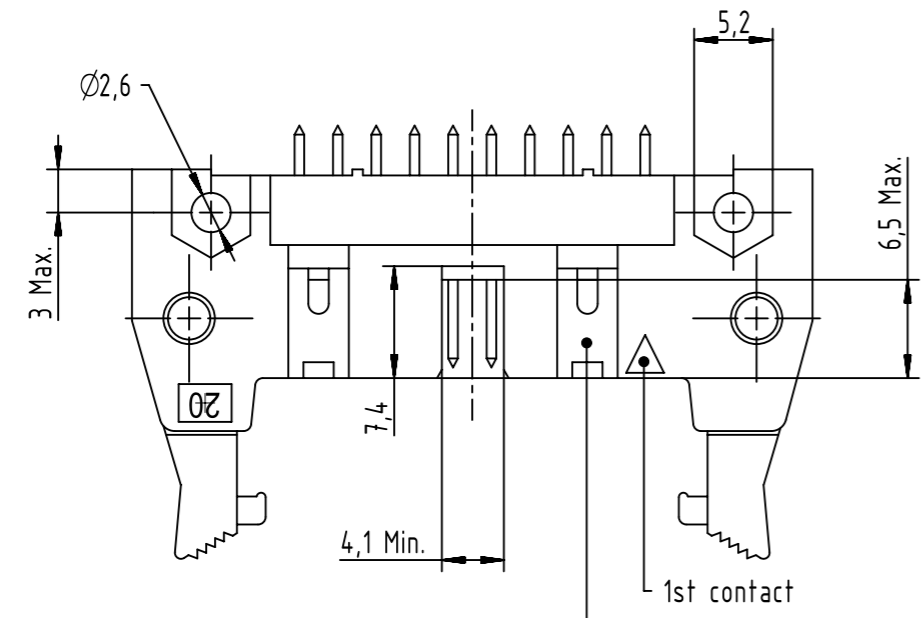
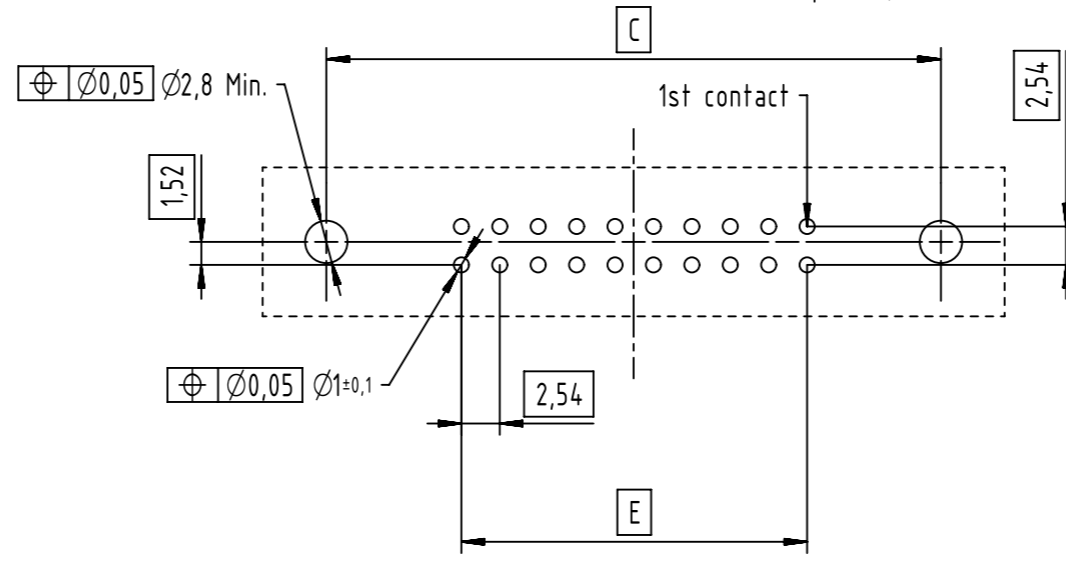
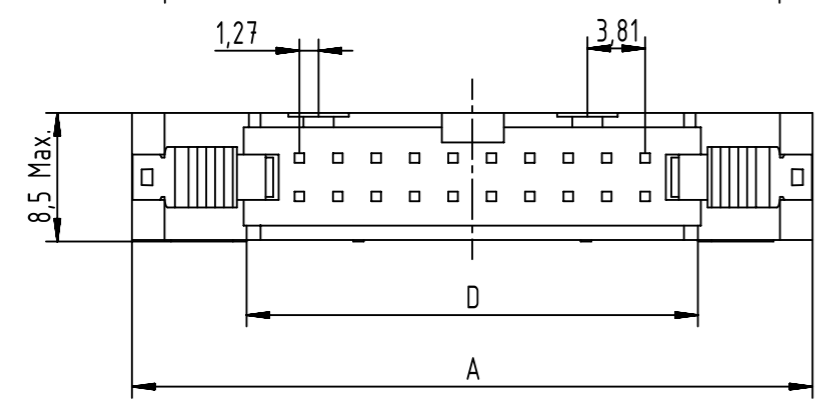
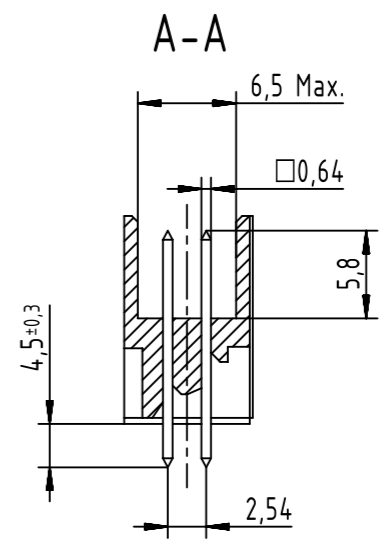


PC-Board layout view component side thickness up to 3,2 mm




See tables for coding feature arrangement and style

Coding style table	
	Style A: For connectors 6 poles
	Style B: For connectors from 10 to 14 poles
	Style C: For connectors from 16 to 64 poles

-Technical information available on a separate document ref: DS 09181200001
 -Full range of P/N's and dimensions shown on page 2/2

	All rights reserved	Created by	Inspected by	Standardisation	Date	State	
	Department EC PD - FR	DOUGE	BAGDIKIAN	SCHREIER	2015-04-08	Final Release	
HARTING Electronics GmbH D-32339 Espelkamp		Title SEK 18 male STD straight with long levers				Doc-Key / ECM-Nr. 100566974/UGD/001/B 50000087654	
		Type	Number		Rev.	Page	
		TB	09185XXX902		B	1/2	

Performance Level				Dimensions (mm)					
	PL3	PL2	S4						
Nb of Contacts	Part Number	Part Number	Part Number	Insulator Color	A Max	C	D	E	G
06	0918 506 7902	0918 506 6902	0918 506 5902	Grey	27,2	22,86	12,45	2,54 x 2 = 5,08	40,3
10	0918 510 7902	0918 510 6902	0918 510 5902		32,3	27,94	17,53	2,54 x 4 = 10,16	45,4
14	0918 514 7902	0918 514 6902	0918 514 5902		37,4	33,02	22,61	2,54 x 6 = 15,24	50,4
16	0918 516 7902	0918 516 6902	0918 516 5902		39,9	35,56	25,15	2,54 x 7 = 17,78	53,0
20	0918 520 7902	0918 520 6902	0918 520 5902		45,0	40,64	30,23	2,54 x 9 = 22,86	58,1
24	0918 524 7902	0918 524 6902	0918 524 5902		50,1	45,72	35,91	2,54 x 11 = 27,94	63,2
26	0918 526 7902	0918 526 6902	0918 526 5902		52,6	48,26	37,85	2,54 x 12 = 30,48	65,7
30	0918 530 7902	0918 530 6902	0918 530 5902		58,0	53,34	43,83	2,54 x 14 = 35,56	68,6
34	0918 534 7902	0918 534 6902	0918 534 5902		62,8	58,42	48,01	2,54 x 16 = 40,64	75,8
40	0918 540 7902	0918 540 6902	0918 540 5902		70,4	66,04	55,63	2,54 x 19 = 48,26	83,5
50	0918 550 7902	0918 550 6902	0918 550 5902		83,1	78,74	68,33	2,54 x 24 = 60,96	96,2
60	0918 560 7902	0918 560 6902	0918 560 5902		95,8	91,44	81,03	2,54 x 29 = 73,66	108,9
64	0918 564 7902	0918 564 6902	0918 564 5902		100,9	96,52	86,11	2,54 x 31 = 78,74	113,9
06	0918 506 7902 001	0918 506 6902 001	0918 506 5902 001		Black	27,2	22,86	12,45	2,54 x 2 = 5,08
10	0918 510 7902 001	0918 510 6902 001	0918 510 5902 001	32,3		27,94	17,53	2,54 x 4 = 10,16	45,4
14	0918 514 7902 001	0918 514 6902 001	0918 514 5902 001	37,4		33,02	22,61	2,54 x 6 = 15,24	50,4
16	0918 516 7902 001	0918 516 6902 001	0918 516 5902 001	39,9		35,56	25,15	2,54 x 7 = 17,78	53,0
20	0918 520 7902 001	0918 520 6902 001	0918 520 5902 001	45,0		40,64	30,23	2,54 x 9 = 22,86	58,1
24	0918 524 7902 001	0918 524 6902 001	0918 524 5902 001	50,1		45,72	35,91	2,54 x 11 = 27,94	63,2
26	0918 526 7902 001	0918 526 6902 001	0918 526 5902 001	52,6		48,26	37,85	2,54 x 12 = 30,48	65,7
30	0918 530 7902 001	0918 530 6902 001	0918 530 5902 001	58,0		53,34	43,83	2,54 x 14 = 35,56	68,6
34	0918 534 7902 001	0918 534 6902 001	0918 534 5902 001	62,8		58,42	48,01	2,54 x 16 = 40,64	75,8
40	0918 540 7902 001	0918 540 6902 001	0918 540 5902 001	70,4		66,04	55,63	2,54 x 19 = 48,26	83,5
50	0918 550 7902 001	0918 550 6902 001	0918 550 5902 001	83,1		78,74	68,33	2,54 x 24 = 60,96	96,2
60	0918 560 7902 001	0918 560 6902 001	0918 560 5902 001	95,8		91,44	81,03	2,54 x 29 = 73,66	108,9
64	0918 564 7902 001	0918 564 6902 001	0918 564 5902 001	100,9		96,52	86,11	2,54 x 31 = 78,74	113,9

	All rights reserved	Created by	Inspected by	Standardisation	Date	State	
	Department EC PD - FR	DOUGE	BAGDIKIAN	SCHREIER	2015-04-08	Final Release	
HARTING Electronics GmbH D-32339 Espelkamp		Title SEK 18 male STD straight with long levers				Doc-Key / ECM-Nr. 100566974/UGD/001/B 50000087654	
		Type	Number	Rev.		Page	
		TB	09185XXX902	B		2/2	