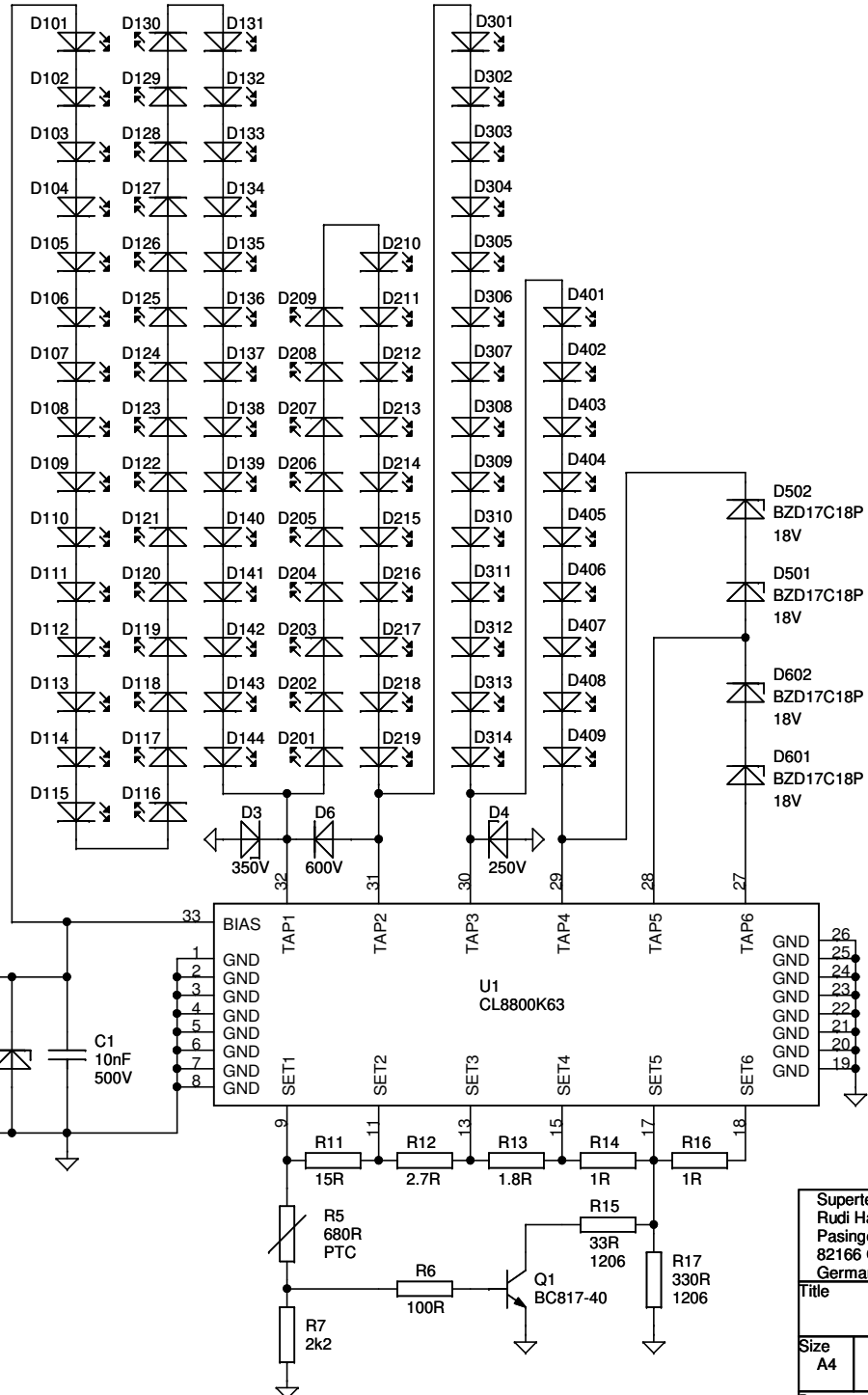


CL8800 demoboard  
with output surge protection  
and temperature derating



LEDs:  
total: 86  
String 1: 44  
String 2: 19  
String 3: 14  
String 4: 9  
String 6: Zener 36V  
String 6: Zener 36V

SPECIFICATIONS	
Input:	190-265VAC
Number of LEDs:	86
Input Power:	approx. 10W
Output:	typ. 1200lm @230VAC

Supertex Inc.  
Rudi Hauser  
Pasinger Str. 90  
82166 Gräfelfing  
Germany

**Supertex inc.**

Title: CL8800 Demoboard

Size: A4	Document Number: CL8800DB86A_R1	Rev: 1
----------	---------------------------------	--------

Date: Tuesday, March 11, 2014 Sheet 1 of 1