



Model: JLV-12300KB Size: 210*135*67mm



Brief Information



300W

Rainproof Power Supply (C.V.)

Model JLV-12300KB / JLV-24300KB

Input 170~250V AC

Output 12VDC 25A 300W / 24VDC 12.5A 300W

Product Features

- Rainproof, big wattage for outdoor use
- High transfer efficiency
- Wide input range
- Stable constant voltage output
- 100% full loading, 100% burn-in tested
- Overload/short circuit protection

MAIN ELECTRICAL DATA

AC Input

Input Voltage	100~250V
Input Frequency	50/60Hz
Efficiency (Typ.)	82%
Input Current	230V: 2.5A max. 110V: 5A max.
Inrush Current	40A
Leakage Current	5mA/230VAC

DC Output

Output Voltage	12V	24V
Rated Current	25A	12.5A
Rated Power	300W	300W
Ripple & Noise (Max.)	<150mVp-p	<150mVp-p
Setup, Rise Time	1500ms/230VAC	1500ms/230VAC
Line Regulation	1%	1%
Load Regulation	2%	2%

Service Environment

Working Temp.	-25°C~50°C
Working Humidity	20~95%RH
Storage Temp.	-40°C~80°C
Storage Humidity	10~95%RH

Packaging Information

Product Dimension	210*135*67mm
Products Net Weight	1200G
PCS/Carton(QTY)	10 PCS
Master Carton Size	39.5*23*31.6cm
G. Weight/ Carton	13KG

Protection

Overload	Yes, Cut-off mode Output shuts down if over-loaded
Short Circuit	Yes, output shut down, recovers automatically after fault condition is removed

Safety

Safety Standard	EN 61347-2-13
Withstand Voltage	I/P-O/P: 3000VAC/1min/<5mA
Isolation Resistance	I/P-O/P: >100M Ohms / 500VDC /25°C / 70%RH

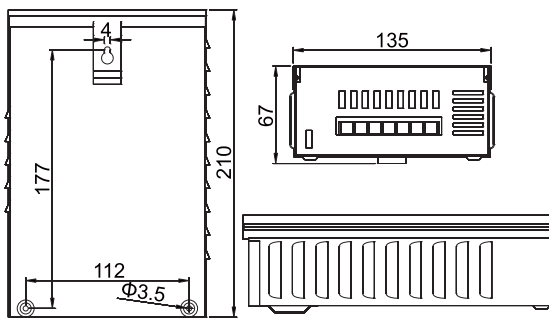
Installation Tips:

- Please identify the power supply's input and output before installation.
- Ensure correct output + & - wire connection. Power on after wire connection is done.
- To avoid voltage drop and loading capacity wasting on the output extension wire, please install the power supply to the loading as near as possible, if must use long extension wires, thicker wires and less loading wattage is required.
- The power supply to be installed at good ventilation and cooling environment.

The power behind your lights

Physical Drawing

Unit: mm



Brief Information

Powermax™
Technology Inside

300W

Waterproof Power Supply (C.V.)

Model JLV-12300KB / JLV-24300KB

Input 170~250V AC

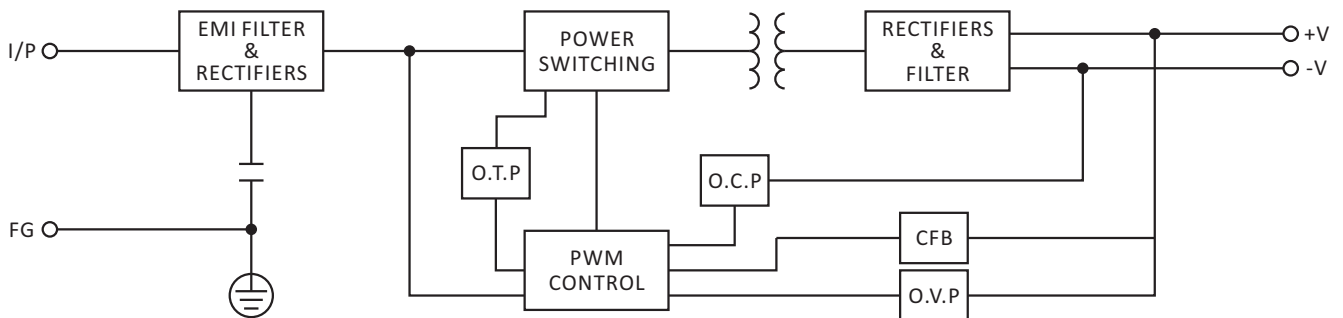
Output 12VDC 25A 300W / 24VDC 12.5A 300W

Input & Output:

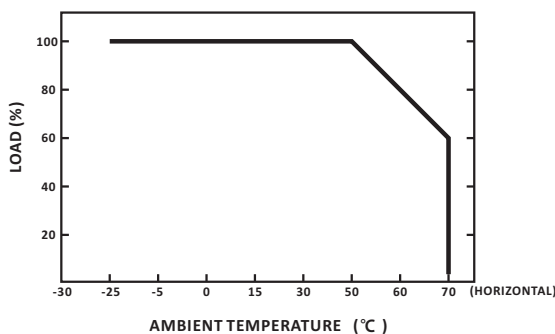
9500-7P Screw Terminals With Cover
inflamming retarding

Housing: Painted Iron

Block Diagram



Derating Curve



Static Characteristics

