

The power behind your lights



Model: JLV-12200K Size: 199\*98\*42mm



**Brief Information**



**200W**

**Power Supply (C.V.)**

Model JLV-12200K / JLV-24200K

Input 100~250V AC

Output 12VDC 16.7A 200W / 24VDC 8.3A 200W

**Product Features**

- Compact size, easy for installation
- High transfer efficiency
- Wide input range (120V/230V)
- Endurable & stable quality
- 100% full loading, 100% burn-in tested
- Overload/short circuit protection

**MAIN ELECTRICAL DATA**

**AC Input**

|                   |                                    |
|-------------------|------------------------------------|
| Input Voltage     | 100~250V                           |
| Input Frequency   | 50/60Hz                            |
| Efficiency (Typ.) | 82%                                |
| Input Current     | 230V: 2.4A max.<br>110V: 4.8A max. |
| Inrush Current    | 40A                                |
| Leakage Current   | 5mA/120VAC                         |

**DC Output**

|                       |               |               |
|-----------------------|---------------|---------------|
| Output Voltage        | 12V           | 24V           |
| Rated Current         | 16.7A         | 8.3A          |
| Rated Power           | 200W          | 200W          |
| Ripple & Noise (Max.) | <500mVp-p     | <500mVp-p     |
| Setup, Rise Time      | 1500ms/120VAC | 1500ms/120VAC |
| Line Regulation       | 1%            | 1%            |
| Load Regulation       | 1%            | 1%            |

**Service Environment**

|                  |            |
|------------------|------------|
| Working Temp.    | -30°C~60°C |
| Working Humidity | 20~95%RH   |
| Storage Temp.    | -40°C~80°C |
| Storage Humidity | 10~95%RH   |

**Packaging Information**

|                     |                  |
|---------------------|------------------|
| Product Dimension   | 199*98*42mm      |
| Products Net Weight | 550G             |
| PCS/Carton(QTY)     | 20 PCS           |
| Master Carton Size  | 42.5*25.5*23.5cm |
| G. Weight/ Carton   | 17KG             |

**Protection**

|               |  |
|---------------|--|
| Overload      | Yes, Cut-off mode<br>Output shuts down if over-loaded                          |
| Short Circuit | Yes, output shut down, recovers automatically after fault condition is removed |

**Safety**

|                      |   |
|----------------------|---|
| Safety Standard      | EN 61347-2-13                                 |
| Withstand Voltage    | I/P-O/P:1500VAC/1min/<5mA                     |
| Isolation Resistance | I/P-O/P: >100M Ohms / 500VDC<br>/25°C / 70%RH |

**Installation Tips:**

- Please identify the power supply's input and output before installation.
- Ensure correct output + & - wire connection.  
Power on after wire connection is done.
- To avoid voltage drop and loading capacity wasting on the output extension wire, please install the power supply to the loading as near as possible, if must use long extension wires, thicker wires and less loading wattage is required.
- The power supply to be installed at good ventilation and cooling environment.

The power behind your lights

## Physical Drawing

Powermax™  
Technology Inside

# 200W

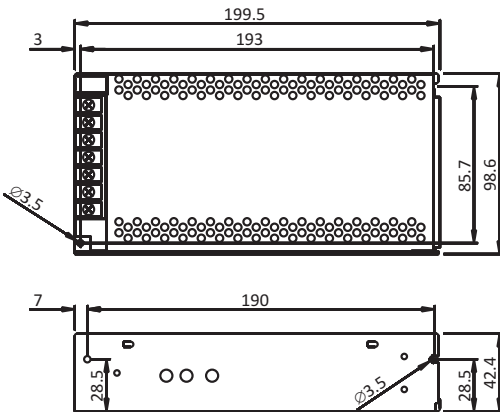
Power Supply (C.V.)

Model JLV-12200K / JLV-24200K

Input 100~250V AC

Output 12VDC 16.7A 200W / 24VDC 8.3A 200W

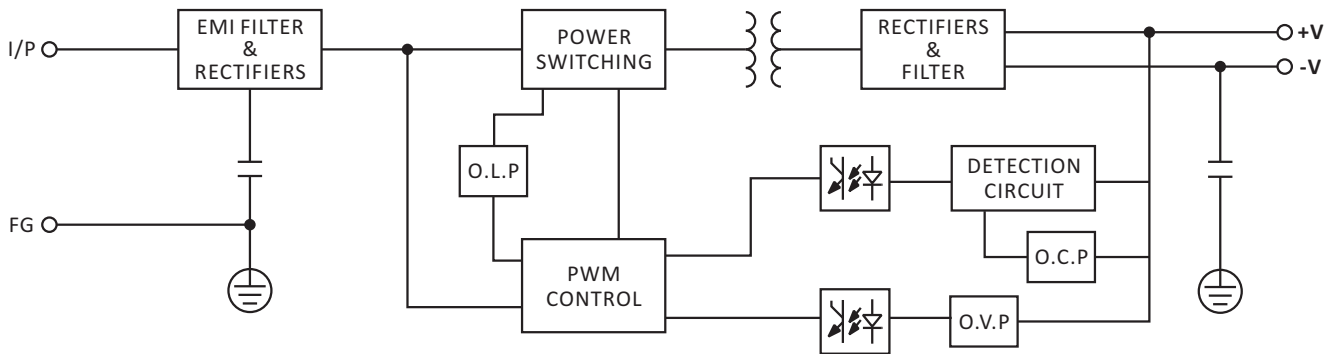
Unit: mm



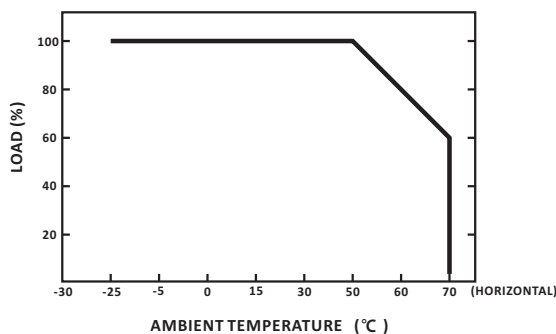
Input & Output:  
9500-7P Screw Terminals With Cover  
inflamming retarding

Housing: Aluminium

## Block Diagram



## Derating Curve



## Static Characteristics

