



## Magnet in Metal Frame

PSR-28N08A-MQ



### Material and Weight

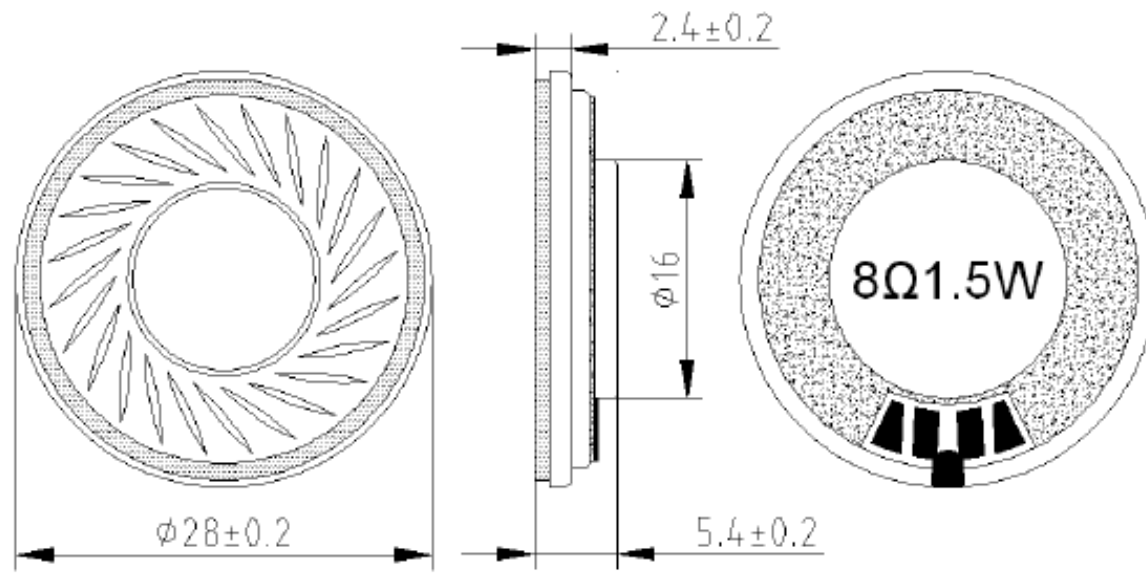
Housing	Metal
Core Material	Black
Magnet	Nd Fe B
Weights (g)	7.0



### Electrical Characteristics

Voice Coil Impedance	$8 \pm 15\%$ at 1000Hz / 1.0V	$\Omega$
Input Power W	1.0	W
Max. Input W	Must be normal at 1.5W for one minute	W
Lowest Resonance Frequency	$600 \pm 20\%$	Hz
Frequency Range	fo ~ 20	KHz
Output S.P.L	$90 \pm 3$ at 0.1W 0.1M, 0.8K, 1K, 1.2K, 1.5KHz	dB
Magnet Size	$12.5 \times 1.5$	mm

Dimensions



Typical Frequency Response Curve

