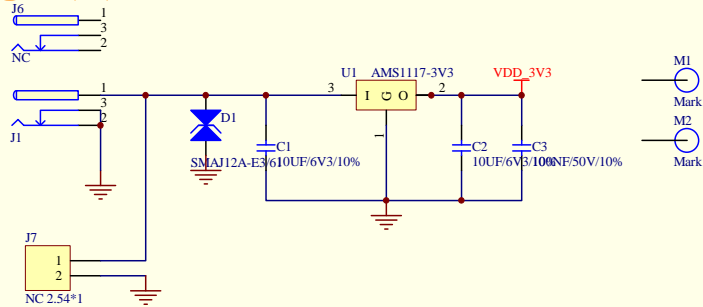
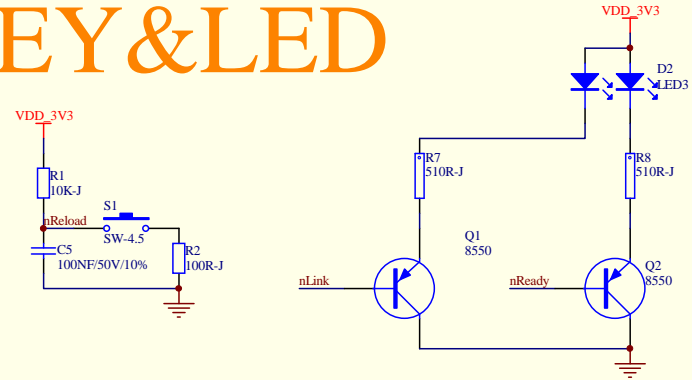


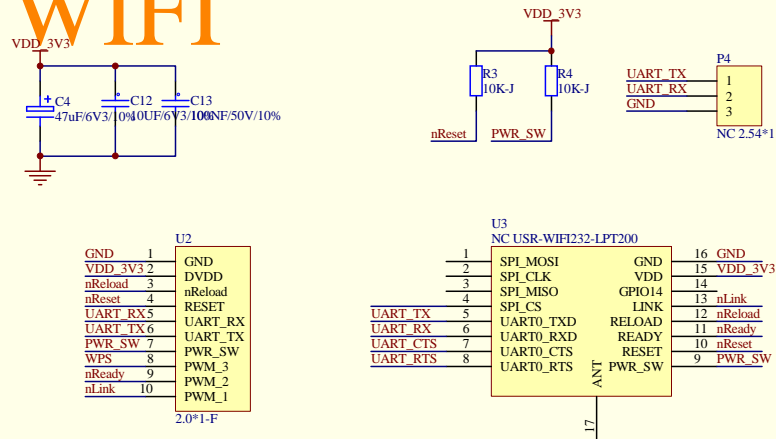
# POWER



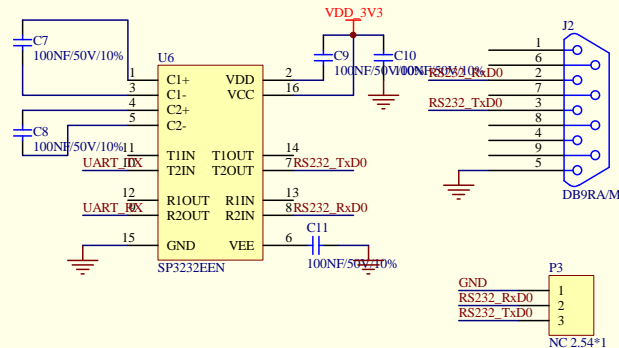
# KEY & LED



# WIFI



# RS232



Title		
Size	Number	Revision
A4		
Date:	16-Apr-2014	Sheet of
File:	G:\USR-WIFI-LOWPOWER\HF-LPT100\USR-WIFI232-TEVKV2\USR-WIFI232-TEVKV2.ddb	