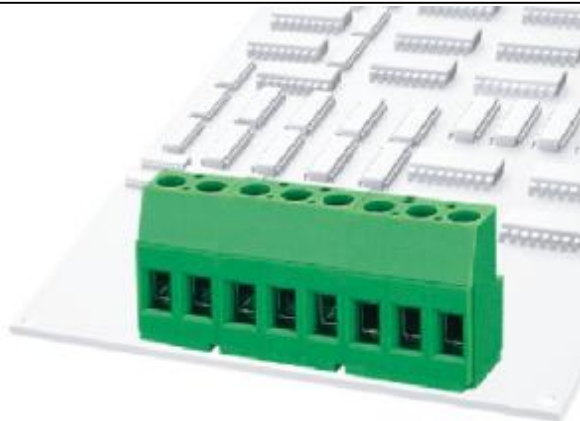


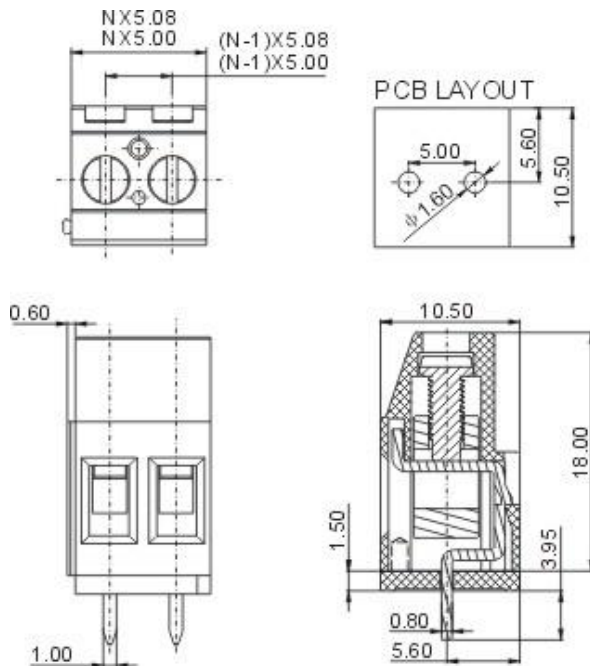


# DEGSON ELECTRONICS CO., LTD.

## Product Specification

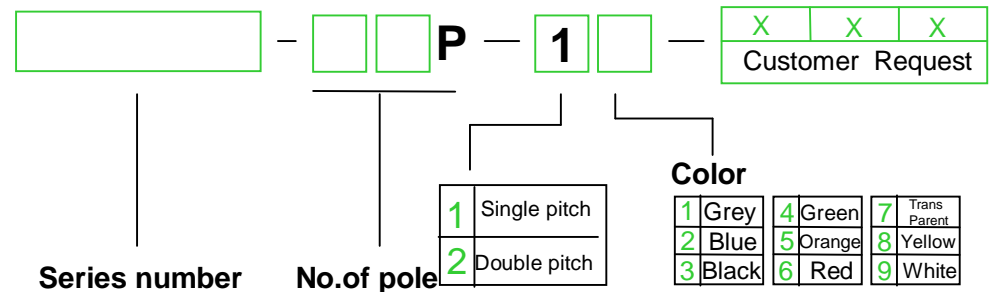


**DG129-5.0**  
**DG129-5.08**



<b>APPROVAL</b>		
<b>Electrical</b>		
Standard	<b>UL</b>	<b>IEC</b>
Rated voltage	300V	250V
Rated current	20A	20A
Wire range	26-12AWG	0.5-2.5mm <sup>2</sup>
Withstanding voltage	AC2000V/1Min	
<b>Menchanical</b>		
Torque	0.5Nm(4.4Lb-In)	
Ambient temperature	-40°C~+105 °C	
Strip length	7mm	
<b>Dimensions</b>		
pitch	5.0mm(.197" ) 5.08mm(.200" )	
Poles	2P,3P-24P	
<b>Material</b>		
Housing	PA66,UL94V-0	
Screws	M3,Steel, Cr <sup>3+</sup> Znplated	
Pin header	Brass,Tin-plated	
Cage	Brass,Ni-plated	

### HOW TO ORDER :



	<b>DEGSON ELECTRONICS CO., LTD.</b>
	<b>NAME</b> <b>DG129-5.0 DG129-5.08</b>