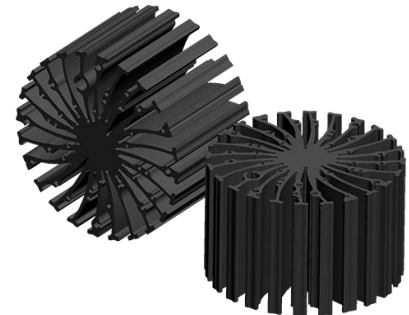


EtraLED

EtraLED-CRE-13080 Cree Modular Passive Star LED Heat Sink Φ 130mm

Features VS Benefits

- * The EtraLED-CRE-13080 Cree Modular Passive Star LED Heat Sinks are specifically designed for luminaires using the Cree LED engines.
- * Mechanical compatibility with direct mounting of the LED engines to the LED cooler and thermal performance matching the lumen packages.
- * For spotlight and downlight designs from 2500 to 8200 lumen.
- * Thermal resistance range Rth 0.7°C/W.
- * Modular design with mounting holes foreseen for direct mounting of Cree Lxamp CXA18xx, CXA25xx and CXA30xx LED engines.
- * Diameter 130mm - standard height 80mm Other heights on request.
- * Extruded from highly conductive aluminum.



Zhaga LED engine and radiator assembly is a unified future international standardization

- * Below you find an overview of Cree COB's and LED modules which standard fit on the EtraLED Star LED Heat Sinks.
- * In this way mechanical after work and related costs can be avoided, and lighting designers can standardize their designs on a limited number of LED Star LED Heat Sinks.



Cree LED engines for which Zhaga book 3 LED Modules holders are available.

For the Cree Lxamp CXA18xx LED engines.
(Ideal Holder:50-2101CR),
(BJB Holder:47.319.2131.50);

CXA1830xxxxx;
CXA1850xxxxx;

For the Cree Lxamp CXA25xx LED engines.
(Ideal Holder:50-2102CR),
(BJB Holder:47.319.2141.50),
(AAG.STUCCHI holder:8401-G2);

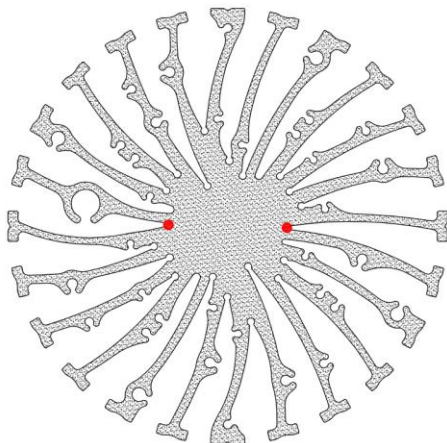
CXA2530xxxxx;
CXA2540xxxxx;

For the Cree Lxamp CXA30xx LED engines.
(Ideal Holder:50-2234C),
(BJB Holder:47.319.2151.50)

CXA3050xxxxx;
CXA3070xxxxx;

Direct mounting with machine screws M3x8mm;
With Zhaga Book 3 LED holder for red indicator marks.

Please refer to the www.cree.com data provided on the manual.





for

LED



EtraLED

EtraLED-CRE-13080 Cree Modular Passive Star LED Heat Sink Φ 130mm

Mounting Options and Drawings & Dimensions

Example: EtraLED-CRE-13080-B-3

Example: EtraLED-CRE-130 **1** - **2** - **3**

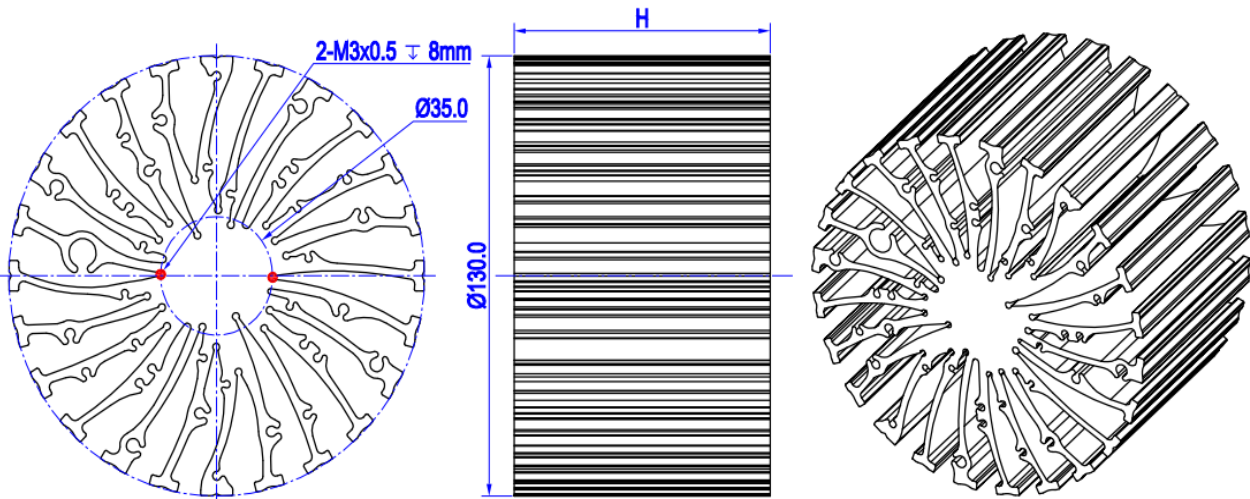
- 1** Height (mm)
- 2** Anodising Color
B-Black
C-Clear
Z-Custom
- 3** Mounting Options - see graphics for details Combinations available
Ex.order code - 12
means option 1 and 2 combined

Notes:

- Mentioned models are an extraction of full product range.
- For specific mechanical adaptations please contact MingfaTech.
- MingfaTech reserves the right to change products or specifications without prior notice.



MOUNTING OPTION	Module type	Holder NO.	THREAD	THREAD DEPTH	THREAD HOLE DISTANCE
1	CXA18xx	Ideal Holde 50-2101CR	M3	8mm	35.0mm/ 2-@180°
		BJB 47.313.2131.50			
	CXA30xx	Ideal Holde 50-2234C			
		BJB 47.313.2151.50			
	CXA25xx	Ideal Holde 50-2102CR			
		BJB 47.313.2141.50			
		AAG.STUCCHI 8401-G2			



Tel:+86-769-33252828 +86-769-33251919
 E-fax:+86-(020)28819702 ext:22122
 Email:sales@mingfatech.com
 Http://www.heatsinkled.com
 Http://www.mingfatech.com



EtraLED

EtraLED-CRE-13080 Cree Modular Passive Star LED Heat Sink Φ 130mm

The thermal data table

	
	<i>EtraLED-13080</i>
Model No.	EtraLED-CRE-13080
Size	Φ 130xH80mm
Material	AL6063-T5
Finish	Black Anodized
Weight(gr)	1108
Thermal Wattage	70.6W
HeatsinkOs-a²	245462
Heat Sink T Rise Above Ambient	0.7

Dissipated Power Pd(W)	Pd = Pe x (1-ηL)	Heat sink to ambient thermal resistance Rhs-amb (°C/W)	Heat sink to ambient temperature rise Ths-amb (°C)
		EtraLED-CRE-13080	EtraLED-CRE-13080
15		1.20	13.00
30		1.05	23.00
45		0.90	31.50
55		0.80	37.50
65		0.72	43.00
75		0.62	48.00
85		0.55	53.00

