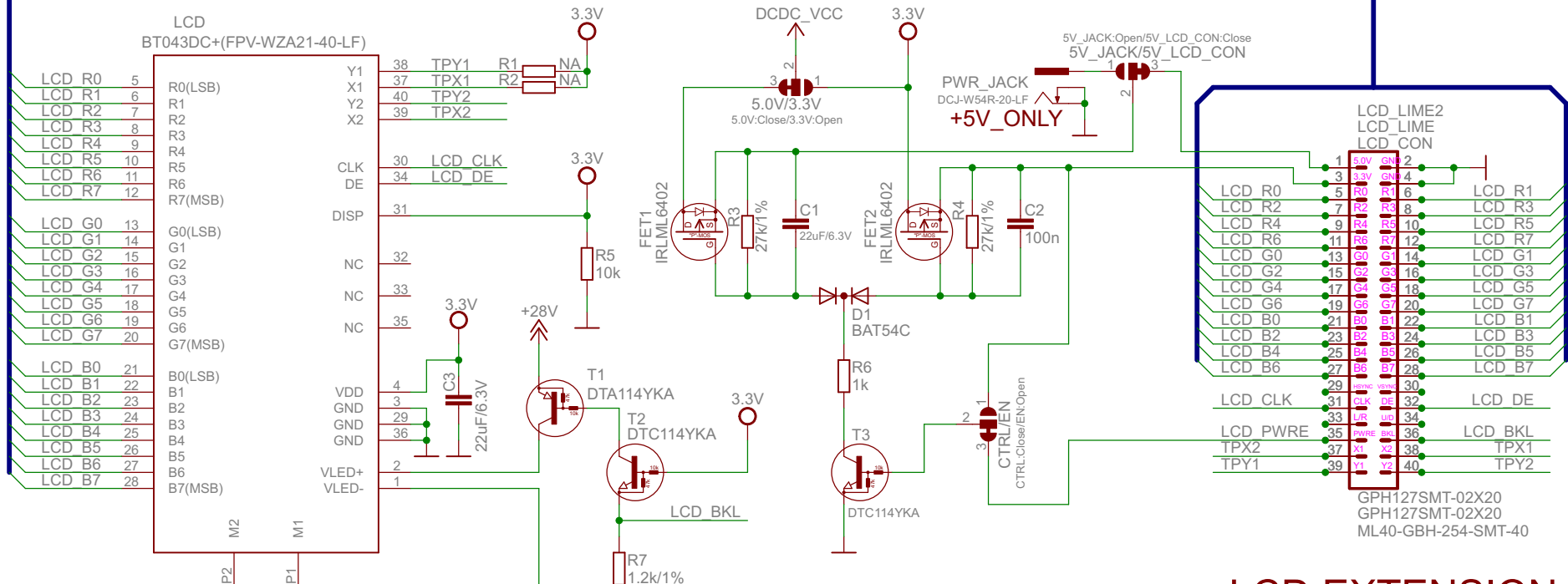


This hardware design by Olimex LTD is licensed under a Creative Commons Attribution-ShareAlike 3.0 Unported License.

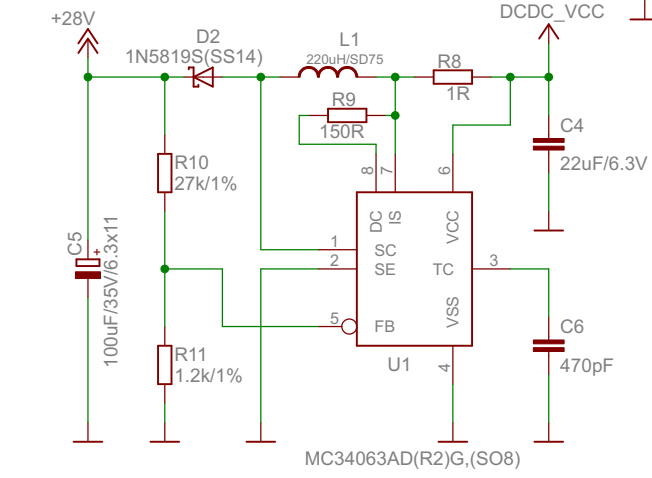


## LCD EXTENSION

LCD-OLINUXINO-4.3"TS, board revision A

OLIMEX LTD, PLOVDIV, BULGARIA, 2014

[HTTPS://WWW.OLIMEX.COM](https://www.olimex.com)



MC34063AD(R2)G(SO8)

This hardware design by Olimex LTD is licensed under a Creative Commons Attribution-ShareAlike 3.0 Unported License.