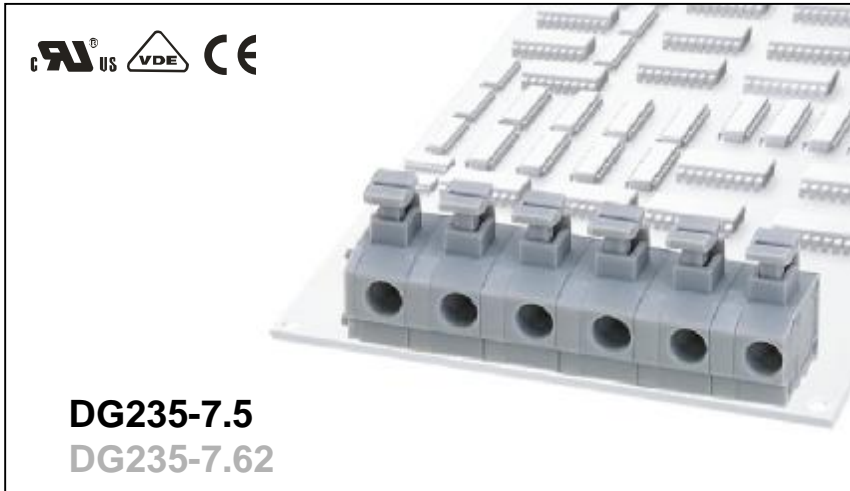


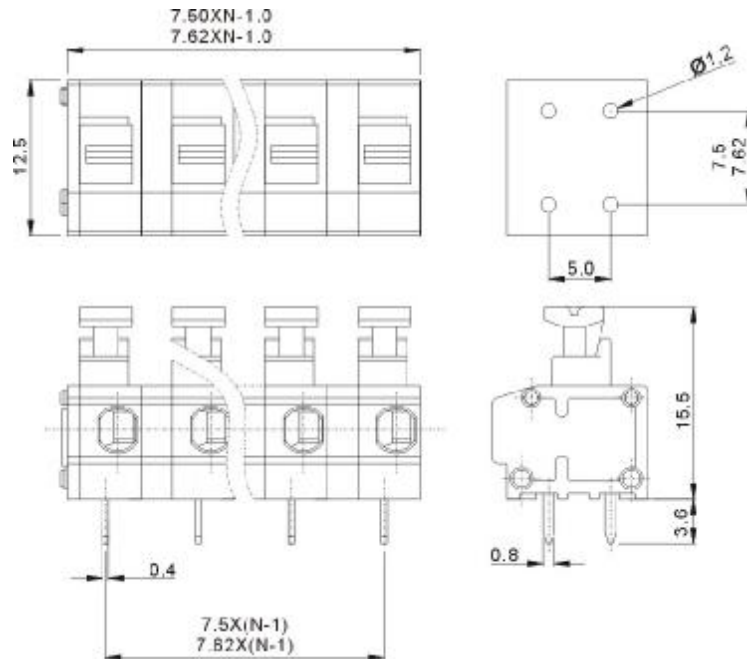


DEGSON ELECTRONICS CO., LTD.

Product Specification

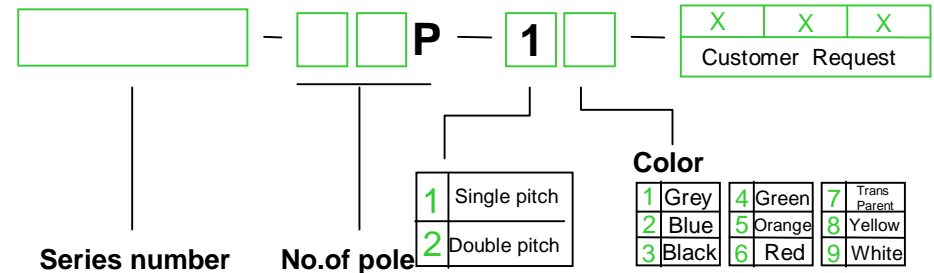


DG235-7.5
DG235-7.62



Approval		
Electrical		
Standard	UL	IEC
Rated voltage	300V	450V
Rated current	5A	15A
Wire range	20-18AWG	1.5mm ²
Withstanding voltage	AC2500V/1Min	
Mechanical		
Ambient temperature	-40°C~+105 °C	
Strip length	9-10mm	
Dimensions		
Pitch	7.5mm(.295") 7.62mm (.300")	
Poles	1P-XXP	
Material		
Housing	PA66,UL94V-0	
Pin header	Phosphor bronze,Tin plated	
Wire guard	Stainless steel	

HOW TO ORDER :



	DEGSON ELECTRONICS CO., LTD.
	NAME DG235-7.5, DG235-7.62