

SMD PCB terminal block; Push-button; 0.75 mm²; Pin spacing 4 mm; 2-pole; Push-in CAGE CLAMP®; in tape-and-reel packaging

Item No.: 2060-452/998-404



SMD PCB terminal block; Push-button; 0.75 mm²; Pin spacing 4 mm; 2-pole; Push-in CAGE CLAMP®; in tape-and-reel packaging

Marking

RoHS ✓
Compliant

Business data

Supplier	WAGO
Item no.	2060-452/998-404
GTIN / EAN	4055143135078
Content	1
Order amount	1,000
Customer item number	

Notes

Item description: SMD PCB terminal blocks with Push-in CAGE CLAMP® connection and push-buttons. Height of just 4.5 mm minimizes on-board LED shadowing. Available in tape-and-reel packaging for automated assembly.

Technical data

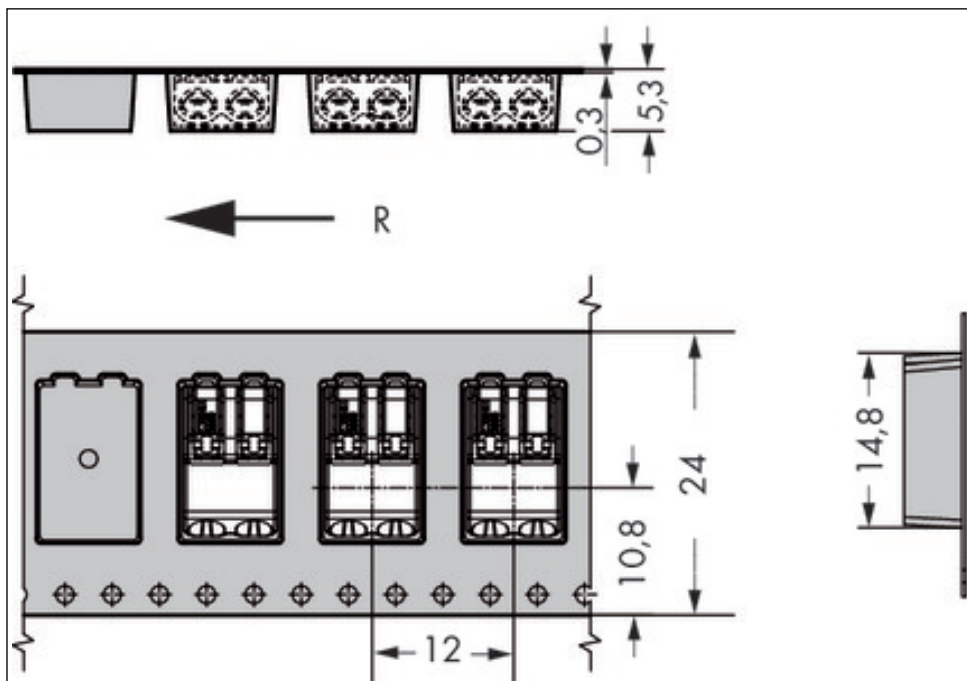
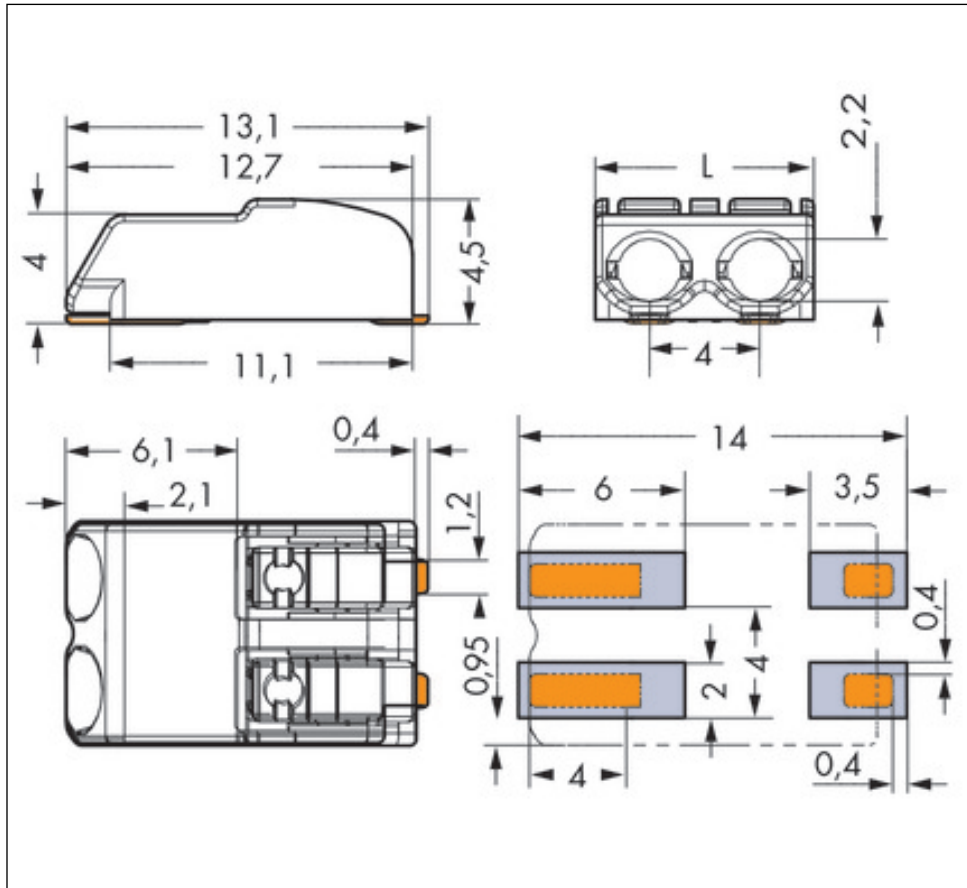
Miscellaneous

No. of poles	2
Pin spacing	4 mm (0.157 in)
Total number of connection points	2
Total number of potentials	2
Color	white
Ratings according to 1	IEC/EN 60664-1
Rated voltage (III / 3) [V]	63 [V]

Technical data	
<i>Rated surge voltage (III / 3) [kV]</i>	2.5 [kV]
<i>Rated voltage (III / 2) [V]</i>	160 [V]
<i>Rated surge voltage (III / 2) [kV]</i>	2.5 [kV]
<i>Rated voltage (II / 2) [V]</i>	320 [V]
<i>Rated surge voltage (II / 2) [kV]</i>	2.5 [kV]
<i>Nominal current [A]</i>	9 [A]
<i>Number of individual connection objects at the product</i>	1
<i>Number of levels</i>	1
<i>Connection technology</i>	Push-in CAGE CLAMP®
<i>Number of connection points</i>	1
<i>Actuation type</i>	Betätigungsdrücker
<i>Solid sizes</i>	0.2 ... 0.75 mm ² / 24 ... 18 AWG
<i>Fine-stranded wires</i>	0.2 ... 0.75 mm ² / 24 ... 18 AWG
<i>Fine-stranded wires with insulated ferrule</i>	0.25 ... 0.34 mm ² / ...
<i>Fine-stranded wires with uninsulated ferrule</i>	0.25 ... 0.34 mm ² / ...
<i>Strip length</i>	7 ... 9 mm / 0.28 ... 0.35 in
<i>Conductor entry angle to the PCB [°]</i>	0 [°]
<i>Solder pad dimensions [mm]</i>	6 x 2 [mm]
<i>Reel diameter of tape-and-reel packaging [mm]</i>	330 [mm]
<i>Tape width [mm]</i>	24 [mm]
<i>Material group</i>	I
<i>Insulating material</i>	Polyphthalamide (PPA GF)
<i>Flammability rating per UL 94</i>	V0
<i>Limit temperature range</i>	-60 ... 105 C
<i>Contact material</i>	Copper alloy
<i>Contact plating</i>	tin-plated
<i>Weight [g]</i>	0.96 [g]
<i>Width</i>	7.9 mm / 0.311 in
<i>Height</i>	4.5 mm / 0.177 in
<i>Length</i>	13.1 mm / 0.516 in

Images & drawings





Address

WAGO Kontakttechnik GmbH & Co. KG

Hansastr. 27

32423 Minden

Telefon: 0571/887-0

Fax: 0571/887-169

<http://www.wago.com>

© WAGO Kontakttechnik GmbH & Co. KG

Technische Änderungen und Irrtümer vorbehalten.