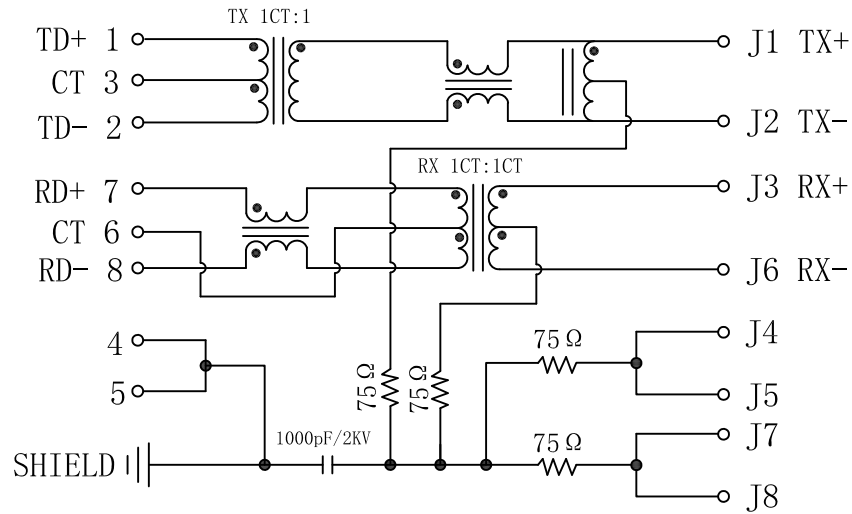


# Schematic:

REV.	ECN NO.	DESCRIPTION	DATE	APPD
A	REL		2015-06-23	

PC BOARD CONNECTIONS

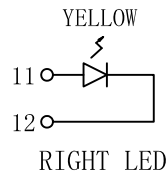
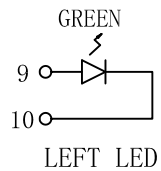


RJ45 CONNECTOR

## Electrical Specifications @25°C

- Turns Ratio:  
TX=1CT:1      RX=1CT:1CT
- Inductance: 350uH MIN  
@100KHz, 100mVrms, 8 mA DC bias
- Insertion Loss:  
1~65MHz:-1.0dB MAX
- Return Loss (dB MIN):  
1~30MHz:-18      40MHz:-16  
50MHz:-12      60MHz:-10
- Crosstalk (dB MIN):  
30MHz:-40      60MHz:-35  
100MHz:-30
- CMR: (dB MIN):  
30MHz:-30      60MHz:-20  
100MHz:-20
- Hipot: 1500Vrms
- Operating Temperature: 0°C ~ 70°C.

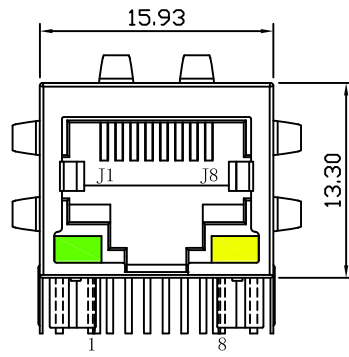
Emitting Color	$\lambda$ p(nm)	VF@IF=20mA	IR @VR=5V
GREEN	565	1.8~2.6V	10 $\mu$ A max
YELLOW	585	1.8~2.6V	10 $\mu$ A max



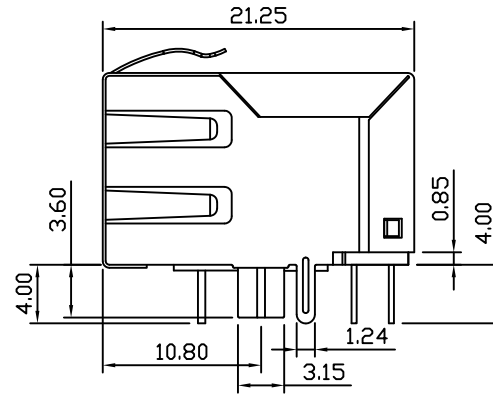
X:X	$\pm 0.30$	APPD:	
X:XX	$\pm 0.25$	CHKD:	
X:XXX	$\pm 0.05$	DR:	TITLE: RJ45 Connector with 10/100 Base-T Integrated Magnetics
ANGLES	$\pm 1^\circ$	UNIT: mm	PART NO.: TS8P8C-PCB-TRAF ETH
	SCALE: 2/1	SHEET: 1/2	REV: A      DWG NO.

# Mechanical:

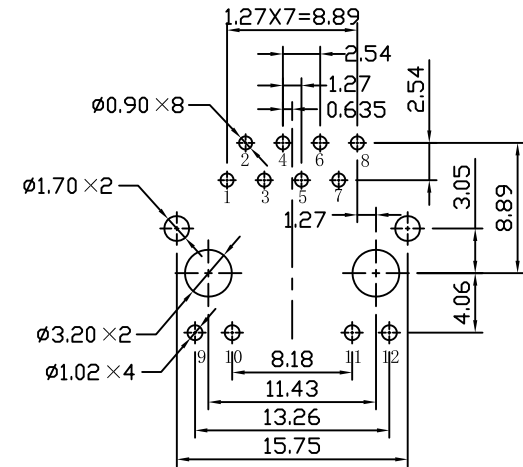
REV.	ECN NO.	DESCRIPTION	DATE	APPD
A	REL		2015-06-23	



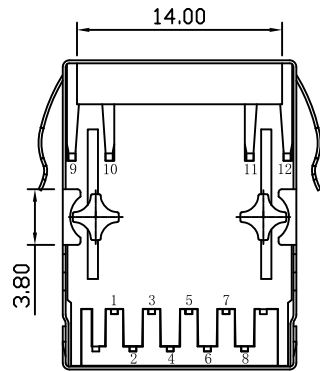
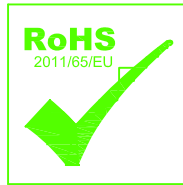
Front Side View



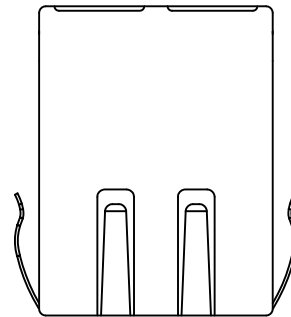
Left Side View



Suggested PCB Layout (Top View)



Bottom Side View



Top Side View

## NOTES:

1. Designed to support application, such as SOHO (ADSL modems), LAN-on-Motherboard (LOM), hub and Switches.
2. Meets IEEE802.3 specification.
3. Connector Materials:  
 Housing: Thermoplastic PBT+30%G.F UL94V-0  
 Contact: Phosphor Bronze C5210R-EH Thickness=0.35mm  
 Pins: Brass C2680R-H Thickness=0.35mm  
 Shield: SUS 201-1/2H Thickness=0.2mm  
 Contact plating: Gold 6 micro-inches min. In contact area.
4. Wave solder tip temperature: 265°C Max, 5 Sec Max.

X:X	±0.30	APPD:	
X:XX	±0.25	CHKD:	
X:XXX	±0.05	DR: TOM	TITLE: RJ45 Connector with 10/100 Base-T Integrated Magnetics
ANGLES	±1°	UNIT: mm	PART NO.: TS8P8C-PCB-TRAF ETH
	SCALE: 2/1	SHEET: 2/2	REV: A DWG NO.