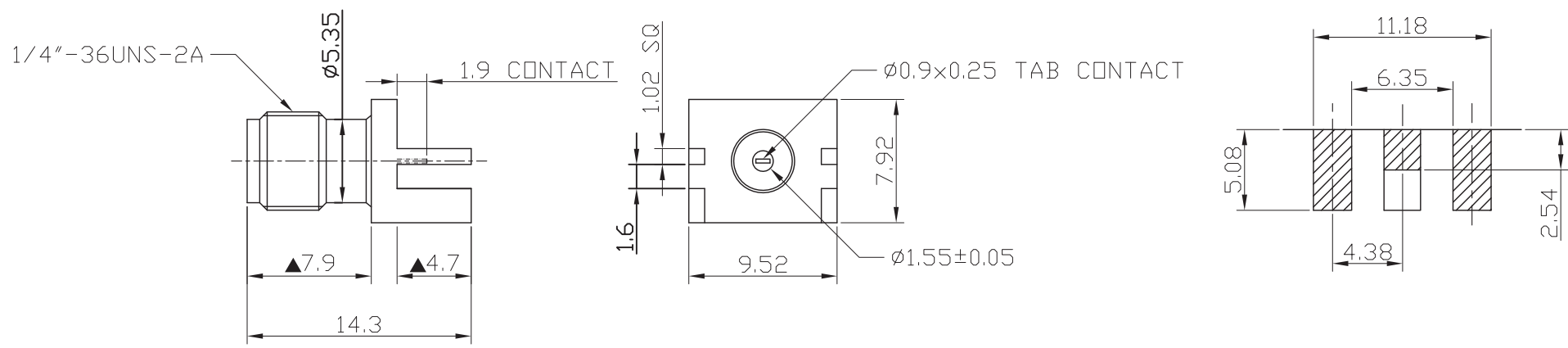


**RoHS COMPLIANT**

REVISIONS			
REV	DESCRIPTION	DATE	APPROVED
A	INITIAL DESIGN		
B	ADD DIM $\phi 5.35$ and $\phi 1.55 \pm 0.05$		
1.10	ADD RECOMMENDED FEET PRINT, CHG DIM 7.9/4.7 w. 7.85/4.75		



TITLE SMA Straight Edge Mount Jack PCB type

DWG NO.	CUSTOMER P/N	UNIT mm	REV. 1.10
---------	--------------	------------	--------------

NO	DESCRIPTION	MATERIAL	FINISH	Q'TY	DRAWN NO.
03	INSULATOR	TEFLON	NONE	1	
02	PIN	Be Cu	GOLD	1	
01	BODY	BRASS	GOLD	1	

GENERAL TOLERANCES	SCALE 2.5 : 1	APPROVALS	DATE
.X ±0.2	SIZE A4	DRAWN BY:	
.XX ±0.2		CHK'D BY:	
.XXX ±0.2		APP'D BY:	
ANGLES ±3°	SHEET 1 of 1		