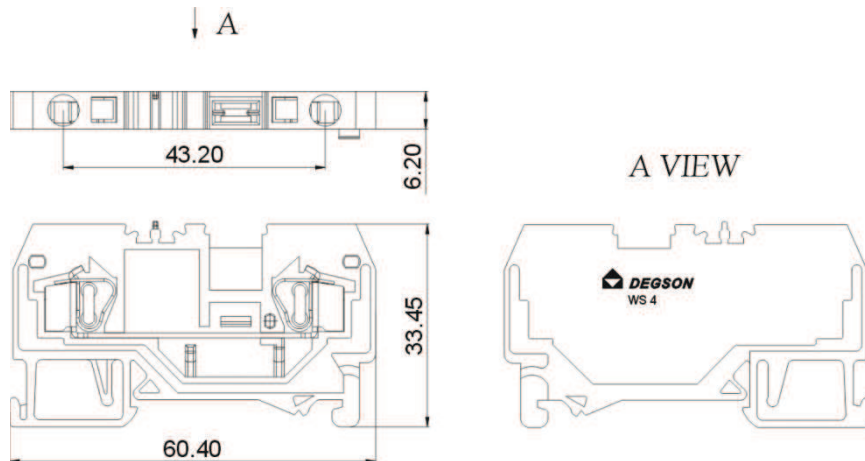
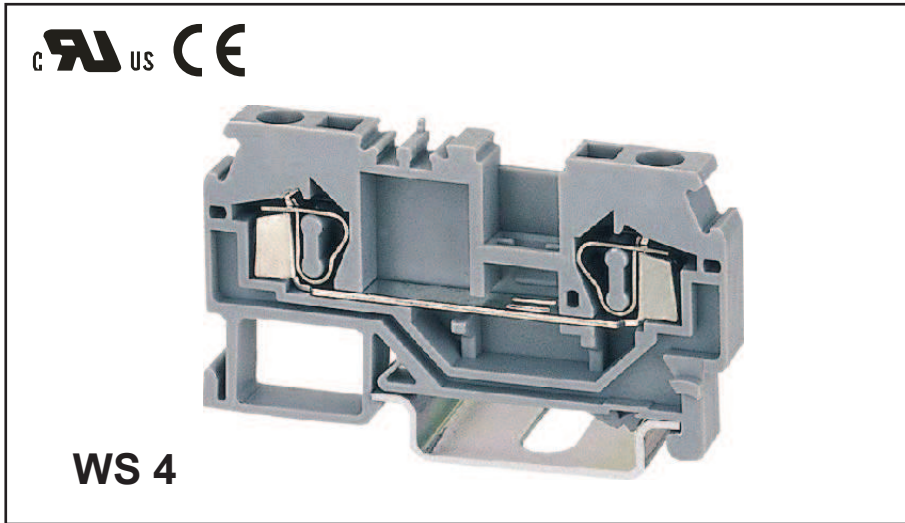




DEGSON ELECTRONICS CO., LTD.

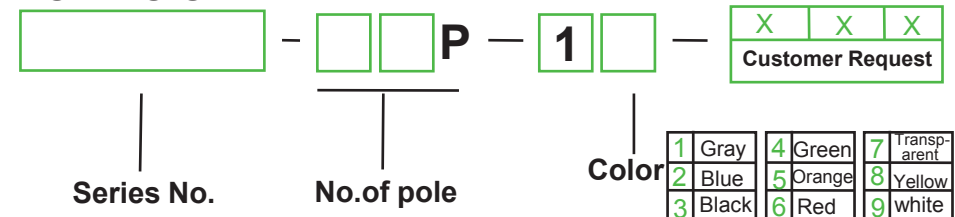
Product Specification



Approval	c US	CE
Electrical	UL	IEC
Standard	600V	800V
Rated voltage	20A	32A
Rated current	28-12AWG	0.2-4.0mm ²
Wire size		6/59/2.5mm
T/W/End plate		36.5/44mm
Height(NS35:7.5/NS35:15)		8KV/3
Rated surge voltage/contamination class		10mm
Stripping length		PAN-0
Insulating material/Inflammability class		

Specification	Model	Pieces
(1) Terminal block	WS 4	100
(2) Cover	D-WS 4	100
(3) Adjacent jumper	WFA-4	300
(4) Alternate jumper	WFB-4	100
(5) Staggered jumper	1-2WFC-4/2 1-5WFC-4/5 1-3WFC-4/3 1-6WFC-4/6 1-4WFC-4/4	100 50 100 50 100
(6) Insulation stop	TTA-4	200
(8) Test plug adapter	EEA-4	100
(9) Test plug	SSA	100
(9) Zack strip	SSB	50
	DEK6	100

HOW TO ORDER :



mm (INCH)	DEGSON ELECTRONICS CO., LTD.
	NAME WS 4