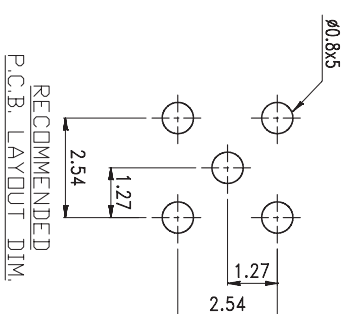
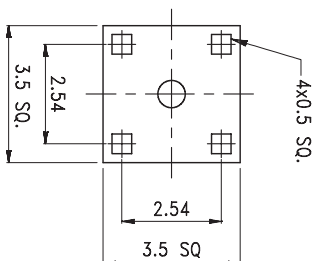
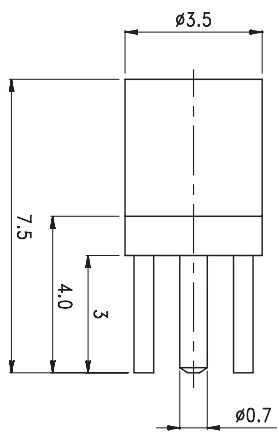


ROHS COMPLIANT

REVOLUTIONS		DATE	APPROVED
ZONE	REV	DESCRIPTION	
A		INITIAL DESIGN	2009/05/12
B		CHG DIM 4.0 was 4.1 mm, remove REF.	2009/07/07



8	7	6	5	4	3	2	1																
<table border="1"> <thead> <tr> <th colspan="2">REVOLUTIONS</th> <th>DATE</th> <th>APPROVED</th> </tr> </thead> <tbody> <tr> <td>ZONE</td> <td>REV</td> <td>DESCRIPTION</td> <td></td> </tr> <tr> <td>A</td> <td></td> <td>INITIAL DESIGN</td> <td>2009/05/12</td> </tr> <tr> <td>B</td> <td></td> <td>CHG DIM 4.0 was 4.1 mm, remove REF.</td> <td>2009/07/07</td> </tr> </tbody> </table>								REVOLUTIONS		DATE	APPROVED	ZONE	REV	DESCRIPTION		A		INITIAL DESIGN	2009/05/12	B		CHG DIM 4.0 was 4.1 mm, remove REF.	2009/07/07
REVOLUTIONS		DATE	APPROVED																				
ZONE	REV	DESCRIPTION																					
A		INITIAL DESIGN	2009/05/12																				
B		CHG DIM 4.0 was 4.1 mm, remove REF.	2009/07/07																				

TITLE
MMCX Straight Jack for PCB

DWG NO. _____

CUSTOMER P/N _____

UNIT mm

REV. B

GENERAL TOLERANCES

X ±0.2

XX ±0.2

XXX ±0.2

ANGLES ±3°

SCALE F_{ree}

SIZE A4

SHEET 1 of 1

NO	DESCRIPTION	MATERIAL	FINISH	Q'TY	DRAWN NO.
03	PIN	Be Cu	GOLD	1	
02	INSULATOR	PTFE	NONE	1	
01	BODY	BRASS	GOLD	1	
8	DESCRIPTION	MATERIAL	FINISH	Q'TY	DRAWN NO.

A B C D E

A B C D E