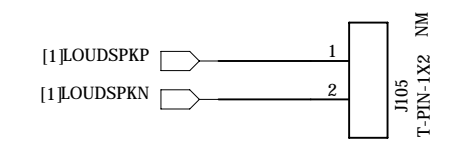
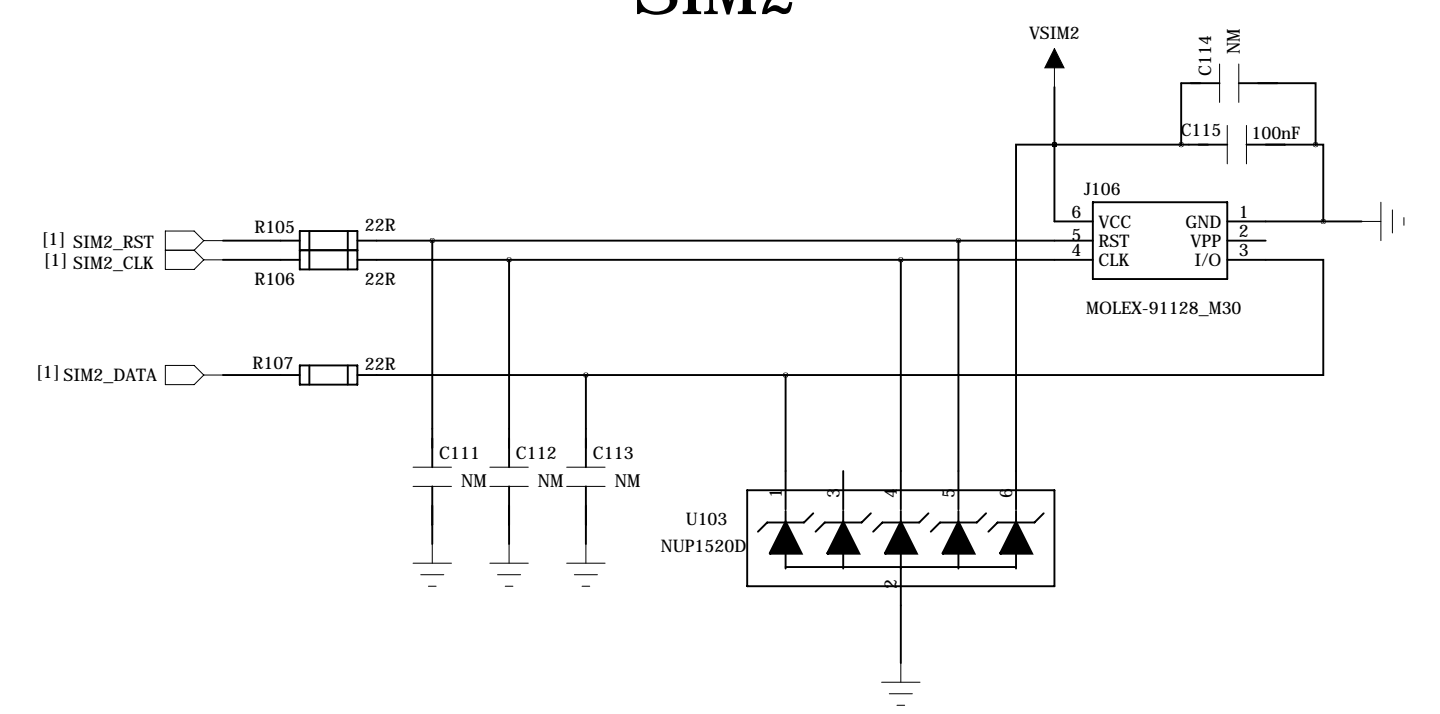


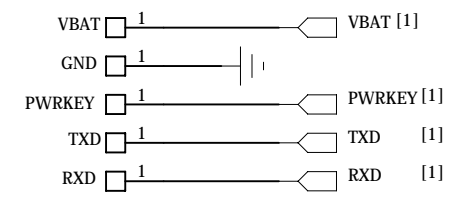
M10-EVB-CONN



SIM2

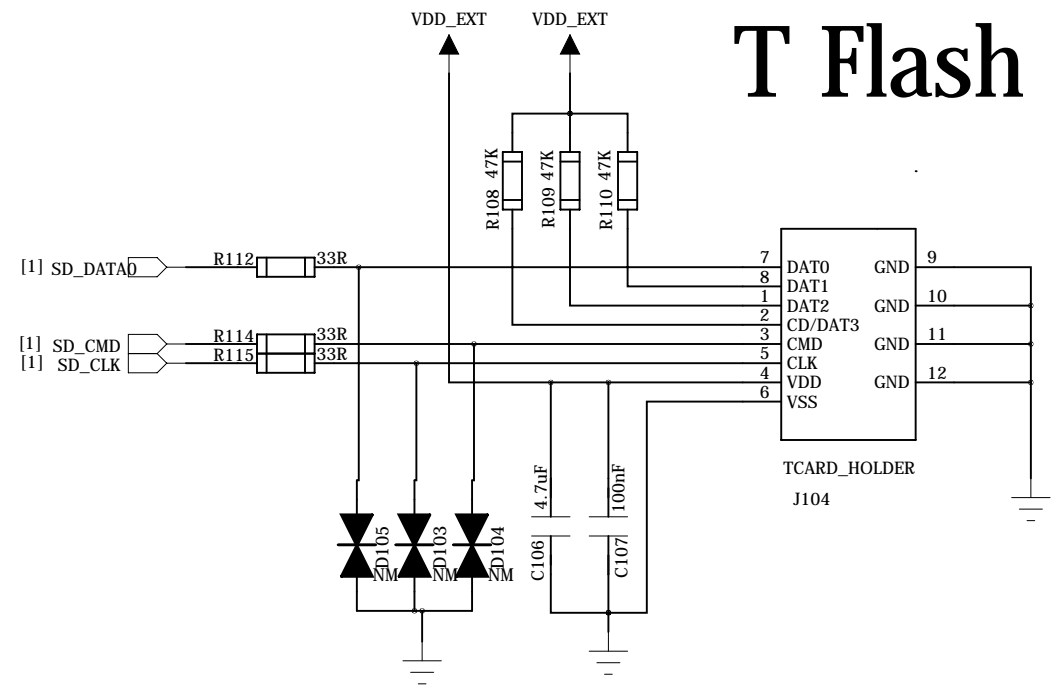


TEST POINT



Test point for testing

T Flash



Quectel Wireless Solutions		
DRAWN BY Winter.Chen	PROJECT M85-TE-A	TITLE
CHECKED BY	SIZE A2	VER 1.01
SHEET 1 of 1		2013.08.15